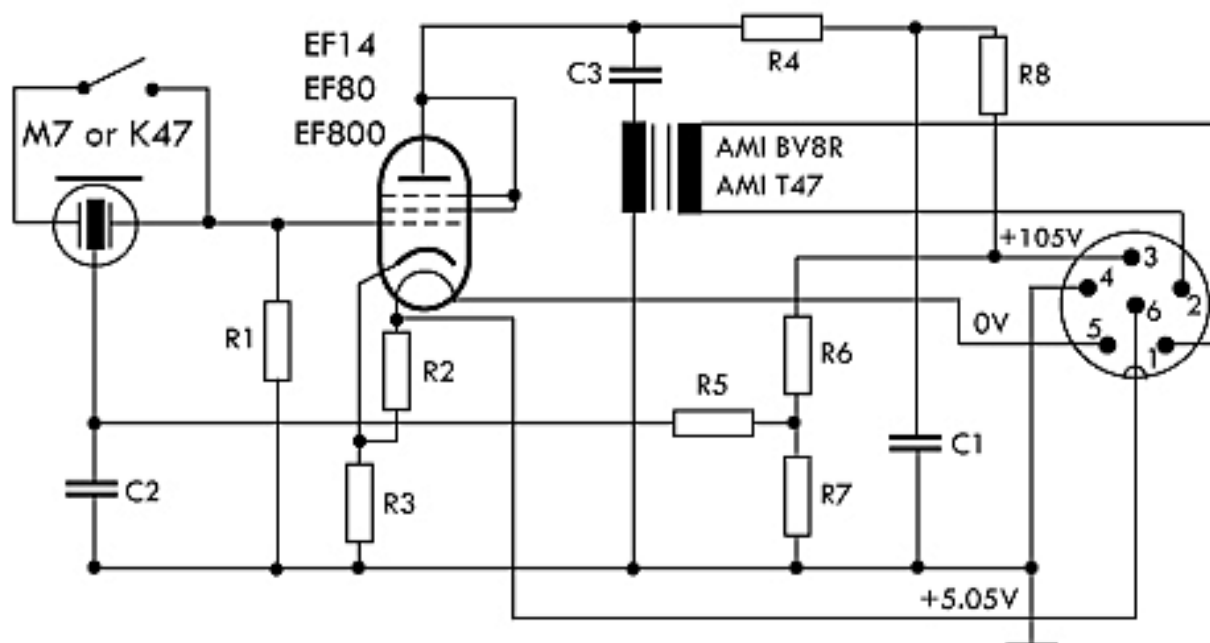


Oliver Archut U47 Alternate Tube Schematic



Component List

R1	1G Ω , .5W
R2	100 Ω , .5W
R3	29 Ω , .5W
R4	100K Ω , .5W
R5	1G Ω , .5W
R6	2M Ω , .5W
R7	3M Ω , .5W
R8	30K Ω , .5W
C1	1 μ F, 250V
C2	.01 μ F, 250V
C3	1 μ F, 250V

Copyright Information

Page layout and circuit design are © copyright 2000-2011 AMI, Inc. All Rights Reserved. Please do not publish, reproduce or distribute this schematic without this copyright information attached. AMI reserves the right to fix mistakes or make any updates to this layout at its discretion.

AMI, Inc.
506 2nd Street
Gaylord, KS 67638
USA

www.tab-funkenwerk.com