
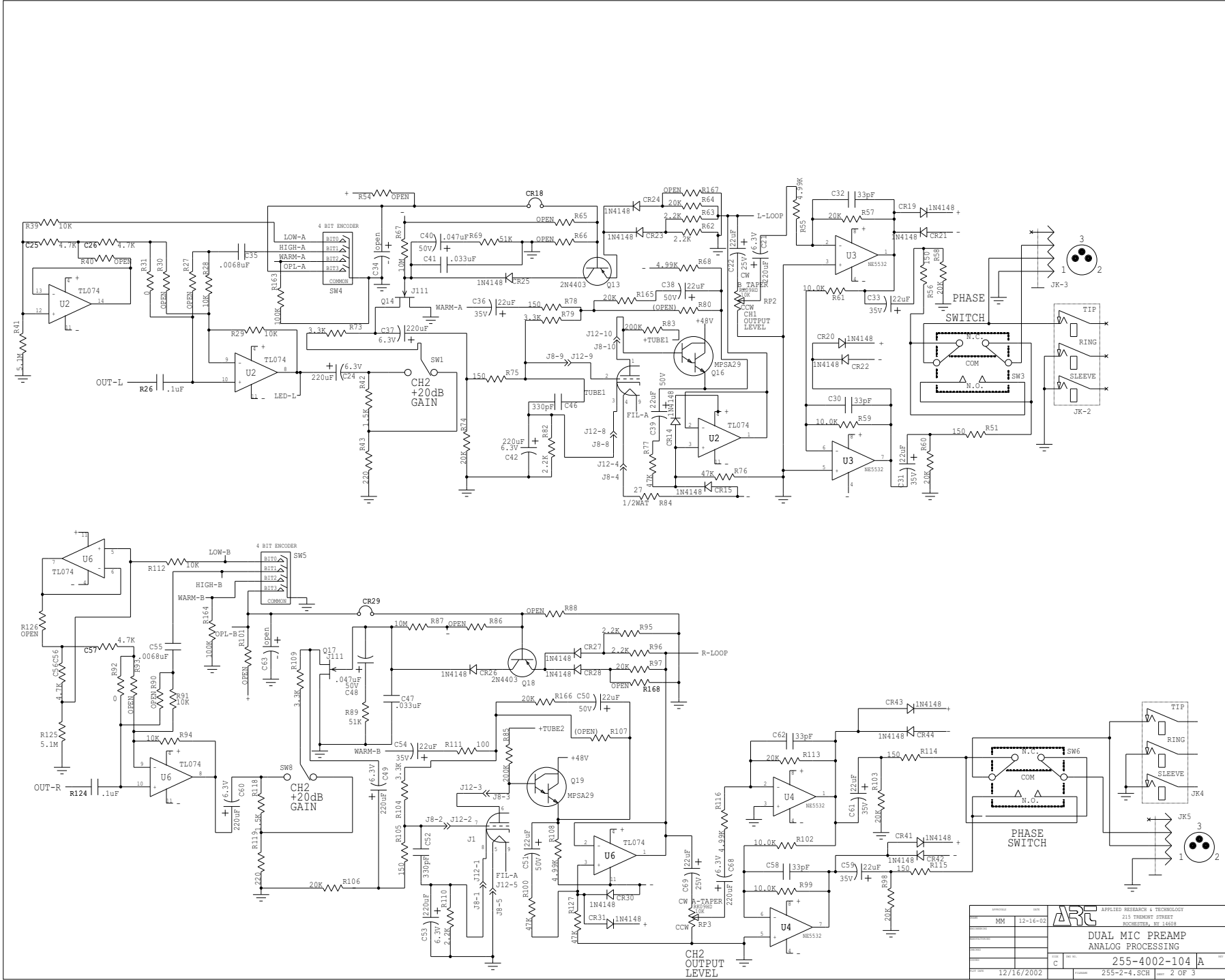
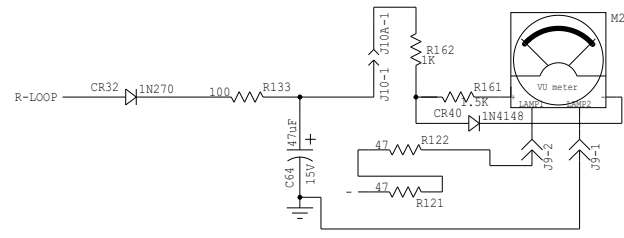
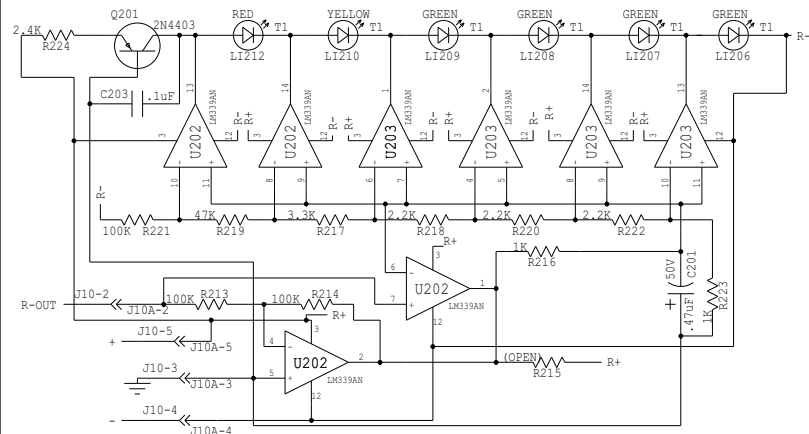
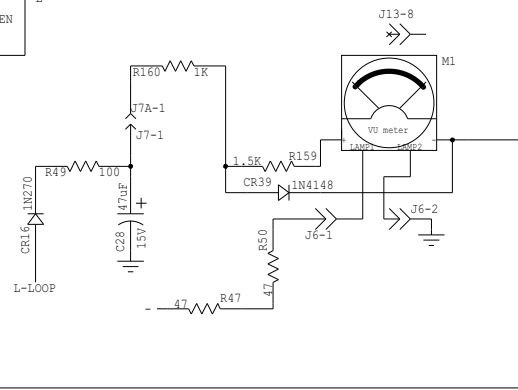
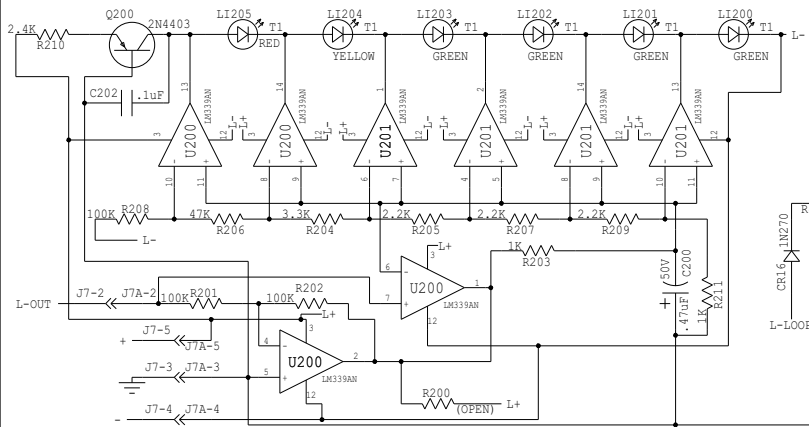
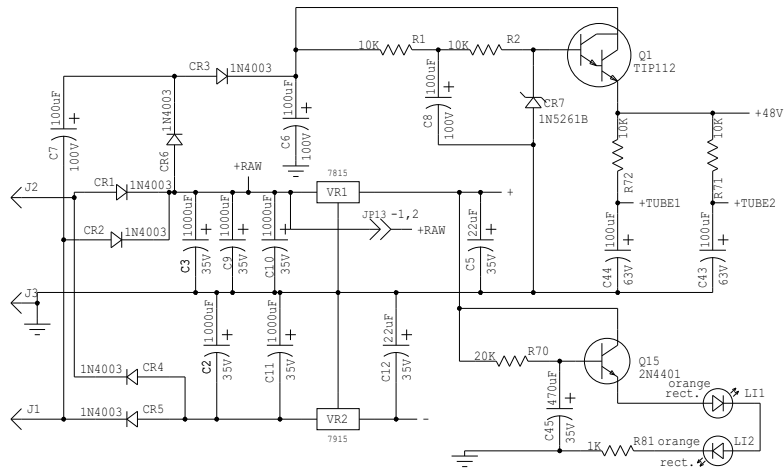


LAST USED	
CR7	
R16	
CR44	
Q30	
U6	
L12	
JK6	
R4	
SW8	
JP67	
J15	

REV	MM	10/3/03	 APPLIED RESEARCH & TECHNOLOGY 215 FRODOLOF STREET BROOKFIELD, NY 14808	<b>Dual Mic Preamp II</b> <b>MIC INPUT SECTION</b>	REV
DATE	C	10/3/03			255-4001-104 A



REV	DATE	ARC	APPLIED RESEARCH & TECHNOLOGY
MM	12-16-02		215 TREMONT STREET
			ROCHESTER, NY 14618
<b>DUAL MIC PREAMP ANALOG PROCESSING</b>			
CT	REV	DATE	255-4002-104 A
			255-2-4.SCH
	12/16/2002		2 OF 3



REVISED	DATE	BY	APPLIED RESEARCH & TECHNOLOGY
MM	12-16-02		215 FRANKLIN STREET ROCHESTER, NY 14609
<p style="text-align: center;"><b>DUAL MIC PREAMP ANALOG PROCESSING</b></p>			REV
DATE	FIGURE NO.	SCALE	
12/16/2002	255-2-4.SCH	3 OF 3	