

BOARD NAME: RQ200

PART PART DESCRIPTION AND
** QTY. NAME VALUE NUMBER DEVICE DESIGNATIONS *****

10	.0018M	.0018M	70330127	.0018M 5% 50vdc my T&A	2	18KS	18K	70200030	18K--1/8W--5%---SMT	1	4.7S	4.7	70200041	4.7--1/8W--5%---SMT	
			C106, C206, C305, C311, C405, C411, C505, C511, C605, C611					R713, R728					R822		
1	.01CD	.01CD	70320248	.01MF---20%---1000VDC---CD--T&A	12	1KS	1K	70200019	1k---1/8w--5%---smt	24	4.99KP1S	4.99kp1	70200049	4.99k--1/8W--1%---SMT	
			C905					R303, R315, R403, R415, R503, R515, R644, R645, R646, R647, R819, R906					R102, R114, R115, R128, R202, R214, R215, R228, R322, R330, R331, R339, R422, R430, R431, R439, R522, R530, R531, R539, R622, R630, R631, R639		
10	.068M	.068M	70330124	.068M 5% 50vdc my T&A	11	1N4003	1N4003	70464003	1N4003 200V SILICON DIODE	5	4560H	4560	70418053	4560 DL OP AMP SOIC-8	
			C100, C200, C304, C310, C404, C410, C504, C510, C604, C610					CR900, CR901, CR902, CR903, CR904, CR905, CR906, CR907, CR908, CR909, CR910					U700, U701, U702, U704, U800		
52	.1S	.1	70300035	.1MF Z5U 50V 20% SMT 1206	16	1N4148S	4148	70418026	1N4148 (LL34) DIODE SMT	26	470PFS	470PF	70300047	470PF COG 50V 5% SMT 1206	
			C119, C120, C121, C122, C123, C124, C219, C220, C221, C222, C327, C328, C329, C330, C331, C332, C333, C334, C427, C428, C429, C430, C431, C432, C433, C434, C527, C528, C529, C530, C531, C532, C533, C534, C627, C628, C629, C630, C631, C632, C633, C634, C719, C720, C721, C722, C725, C726, C806, C807, C808, C814					CR100, CR101, CR102, CR103, CR200, CR201, CR202, CR203, CR300, CR301, CR400, CR401, CR500, CR501, CR600, CR601					C114, C115, C117, C214, C215, C217, C307, C308, C320, C321, C324, C407, C408, C420, C421, C424, C507, C508, C520, C521, C524, C620, C621, C624, C637, C640		
12	1.1KP1S	1.1K	70200069	1.1K--1/8W--1%---SMT 1206	1	2.2KS	2.2K	70200021	2.2K---1/8W--5%---smt	6	470R6.3	470R6.3	70320183	470MF---20%---6.3VDC--EL--T&A	
			5442, R130, R131, R230, R231, R342, R343, R442, R443, R543, R642, R643					R813						C125, C225, C337, C437, C537, C641	
2	1000R35	1000R35	70320186	1000MF---20%---35VDC--EL--T&A	2	2.2R50	2.2R50	70320180	2.2MF---20%---50VDC--EL--T&A	10	470S	470	70200046	470--1/8W--5%---SMT	
			C907, C908					C804, C805						R700, R703, R707, R712, R714, R720, R727, R732, R734, R735	
8	100KS	100K	70200034	100K---1/8W--5%---SM	1	2.7KS	2.7K	70200061	2.7K---1/8w--5%---smt	35	47KS	47K	70200032	47K---1/8W--5%---SMT	
			R103, R104, R203, R204, R701, R710, R903, R905					R808						R300, R301, R307, R312, R319, R320, R327, R337, R400, R401, R407, R412, R419, R420, R427, R437, R500, R501, R507, R512, R519, R520, R527, R537, R600, R601, R607, R612, R619, R620, R627, R637, R801, R820, R821	
20	100S	100	70200013	100---1/8w--5%---smt	12	20KP1S	20kp1	70200059	20k---1/8W--1%---SMT	16	47PFS	47PF	70300050	47PF COG 50V 5% SMT	
			R100, R127, R133, R134, R200, R227, R233, R234, R332, R432, R532, R632, R823, R824, R825, R826, R827, R828, R829, R830					R108, R119, R208, R219, R325, R333, R425, R433, R525, R533, R625, R633						C107, C111, C118, C207, C211, C218, C317, C325, C417, C425, C517, C525, C617, C625, C707, C731	
24	10KP1S	10kp1	70200051	10k---1/8W--1%---SMT	4	220S	220	70200016	220---1/8w--5%---smt	14	47S	47	70200012	47---1/8w--5%---smt	
			R107, R120, R121, R122, R207, R220, R221, R222, R324, R334, R335, R336, R424, R434, R435, R436, R524, R534, R535, R536, R624, R634, R635, R636					R705, R718, R817, R818						R116, R132, R217, R232, R311, R329, R411, R429, R511, R529, R611, R629, R900, R901	
39	10KS	10K	70200028	10K--1/8W--5%---SMT	8	22KS	22K	70200031	22K--1/8W--5%---SMT	18	47V50	47V50	70320182	47MF---20%---50VDC--LL--T&A	
			R112, R113, R124, R125, R129, R212, R213, R224, R225, R229, R323, R326, R338, R340, R423, R426, R438, R440, R523, R526, R538, R540, R623, R626, R638, R640, R702, R706, R708, R709, R724, R726, R729, R736, R802, R807, R809, R814, R902					R118, R123, R218, R223, R711, R716, R721, R733						C112, C116, C212, C216, C319, C323, C419, C423, C519, C523, C619, C623, C700, C702, C703, C708, C815, C904	
10	10PFS	10PF	70300010	10PF COG 50V 5% SMT 1206	12	22PFS	22PF	70300011	22PF COG 50V 5% SMT 1206	2	4PRC8J2	4PRC8J2	70600055	4C PRE-TIN .100 CTR 8" JUMPER (SPLIT VERSION)	
			C300, C313, C400, C413, C500, C513, C600, C613, C709, C714					C113, C213, C335, C336, C435, C436, C535, C536, C635, C636, C801, C802						J802, J803	
1	10S	10	70200011	10---1/8w--5%---smt	4	250SOWD	70900785	70900785	SPACER, 1/4,R(#4),.187 SWAGE ALUM.	1	5.1KS	5.1K	70200094	5.1K---1/8w--5%---SMT1206	
			R908					SO908, SO909, SO910, SO911						R806	
6	12PRC2	12PRC2	70600064	12C PRE-TIN .098 CTR 2" JUMPER	9	330S	330	70200071	330--1/8W--5%---SM	41	6.8KS	6.8K	70200026	6.8K--1/8W--5%---SMT	
			J105, J106, J205, J206, J305, J306					R309, R310, R409, R410, R509, R510, R609, R610, R815						R101, R106, R109, R201, R206, R209, R302, R305, R306, R308, R313, R314, R317, R318, R402, R405, R406, R408, R413, R414, R417, R418, R502, R505, R506, R508, R513, R514, R517, R518, R602, R605, R606, R608, R613, R614, R617, R618, R717, R722, R816	
8	15MSOW	70901837	70901837	SPACER, 15mm-r(#4) .187 swage alum.	3	339H	339H	70418110	LM339D QUAD COMP IC - SMT SO14	2	6534	6534	70466533	MPS-6533/34 TO-92 PNP TRANS T&A	
			SO900, SO901, SO902, SO903, SO904, SO905, SO906, SO907					U801, U802, U803						Q800, Q801	
					17	33KS	33K	70200063	33K--1/8W--5%---SM	2	68KS	68K	70200033	68K--1/8W--5%---SMT	
								R126, R226, R321, R341, R421, R441, R521, R541, R621, R641, R800, R803, R804, R811, R812, R904, R907						R715, R719	
					14	39PFS	39PF	70300012	39PF COG 50V 5% SMT 1206	1	68S	68	70200053	68---1/8W--5%---SMT	
								C104, C204, C302, C312, C402, C412, C502, C512, C602, C612, C705, C713, C718, C730						R723	

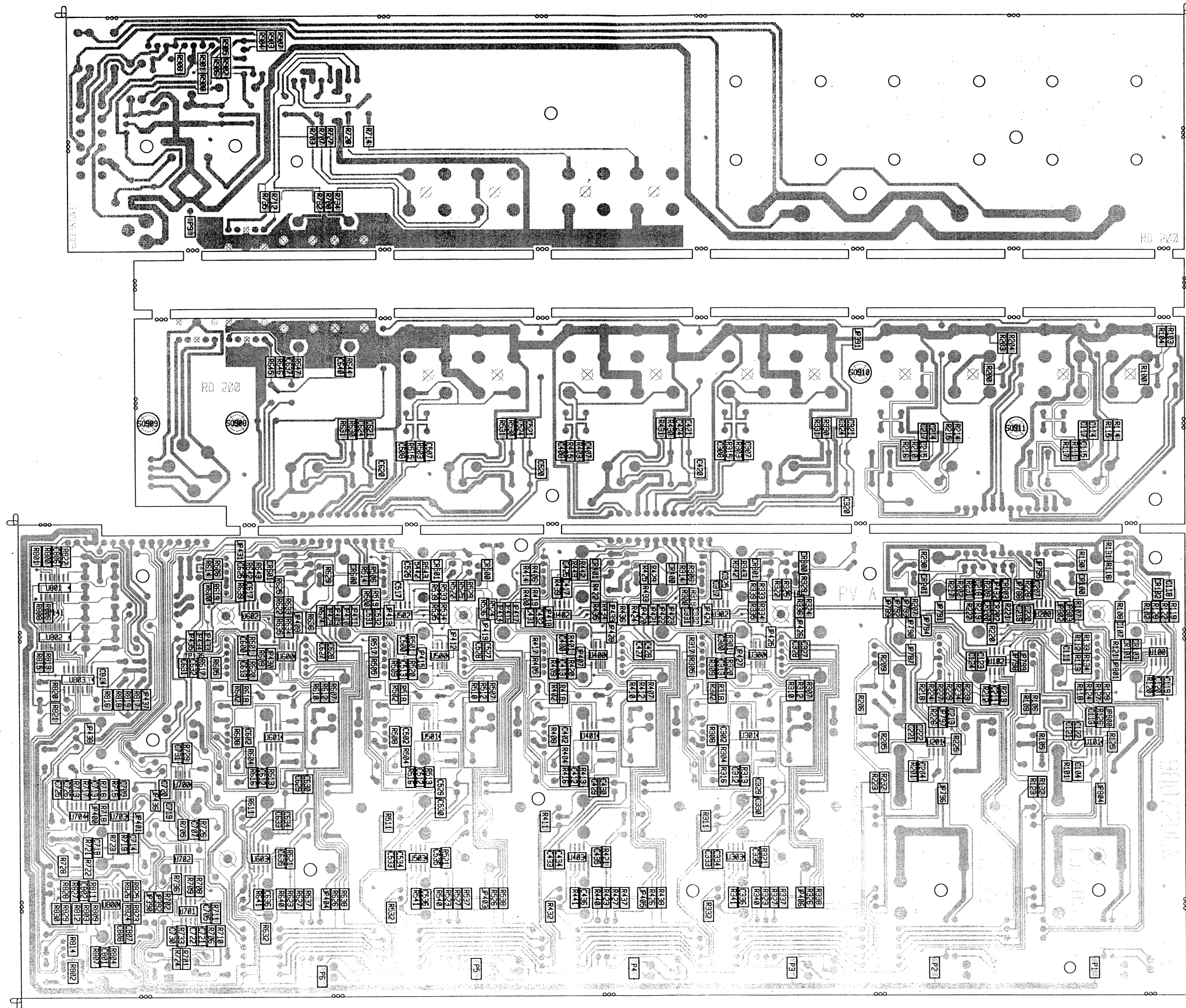
1 7815FVRT 7815FVER 70400318 7815 15V 1A POS TO-220 RG VERT MNT INS
VR900
14 786 786 70460786 2SD-786S NPN TRANS T&A
Q100, Q101, Q200, Q201, Q300, Q301,
Q400, Q401, Q500, Q501, Q600, Q601,
Q900, Q901
1 7915FVRT 7915FVER 70400319 7915 15V 1A NEG TO 220 RG VERT MNT INS
VR901
14 8.2KS 8.2K 70200042 8.2K--1/8W--5%---SMT
R105, R111, R117, R205, R210, R216,
R304, R316, R404, R416, R504, R516,
R604, R616
4 8PRC8 70600065 70600065 8C PRE-TIN .100 CTR 8" CABLE (SPLIT
VERSION)
J605, J606, J901, J902
3 9VBATBOX 70901709 70901709 UNIVERSAL 9V BATT HOLDER
B1, B2, B3
1 BJK6267 71466267 71466267 DC POWER JACK W/O SCREW TERMINALS
J900
6 FVXLR325 71466325 71466325 Connector, Female XLR
J100, J200, J302, J402, J502, J602
1 HIDS1 71466216 71466216 STEREO HID JACK INSU W/SPD
J801
7 LEDG6 LEDG6 70450051 LED, T-1, GRN, W/.500" SPCR - T&A
CR804, CR805, CR806, CR807, CR808,
CR809, CR810
2 LEDR6 LEDR6 70450050 LED, T-1, RED, W/.500" SPCR - T&A
CR800, CR801
2 LEDY6 LEDY6 70450052 LED, T-1, YEL, W/.500" SPCR - T&A
CR802, CR803
18 POT0259 71190259 71190259 50KB - STD - 9MM - W/DTT
VR101, VR102, VR103, VR104, VR201,
VR202, VR203, VR204, VR304, VR305,
VR404, VR405, VR504, VR505, VR604,
VR605, VR701, VR702
6 POT0260 71190260 71190260 10K(5C)-STD-9MM POT
VR100, VR200, VR301, VR401, VR501, VR601
6 POT0710 POT0710 71190710 10KA/10KC DUAL 12MM W/DTT
VR105, VR205, VR306, VR406, VR506, VR606
13 POT0716 POT0716 71190716 50KBX2 DUAL 12MM ROT POT W/DTT
VR300, VR302, VR303, VR400, VR402,
VR403, VR500, VR502, VR503, VR600,
VR602, VR603, VR800
14 RASN6165 71466165 71466165 JK R/A 12.5MM NIN STEREO -88
J101, J103, J201, J203, J300, J301,
J400, J401, J500, J501, J700, J703,
J705, J706
3 RASN6273 71466273 71466273 JACK, M/STR 1/8" PHONE - W/BSHG
J601, J702, J800
4 RCA6230 71466230 71466230 JACK, RCA, R/A PC MT-UNSWITCHED
J600, J603, J701, J704
7 SPOT0159 71190159 71190159 10KY.60MM DUAL STD FADER

VR106, VR206, VR307, VR407, VR507,
VR607, VR700

1 SW2296 SW2296 71322296 4PDT PC MNT PUSH SWITCH
S900

1 SW2356 71322356 71322356 DPDT PUSH BUTTON SW 2.8MM SQ SHAFT
S800

22 TL062H TL062 STUCKMAN TL062H 70418192
U100, U101, U102, U200, U201, U300,
U301, U302, U303, U400, U401, U402,
U403, U500, U501, U502, U503, U600,
U601, U602, U603, U703



MADE IN USA

PEAVEY ELECTRONICS CORPORATION
 711 A STREET
 MERIDIAN, MS 39301

BOARD NAME

RO 200

BOARD NUMBER

98872980

ASSEMBLY NUMBER

99572980

DESIGNER

FJE/TDT

ENGINEER

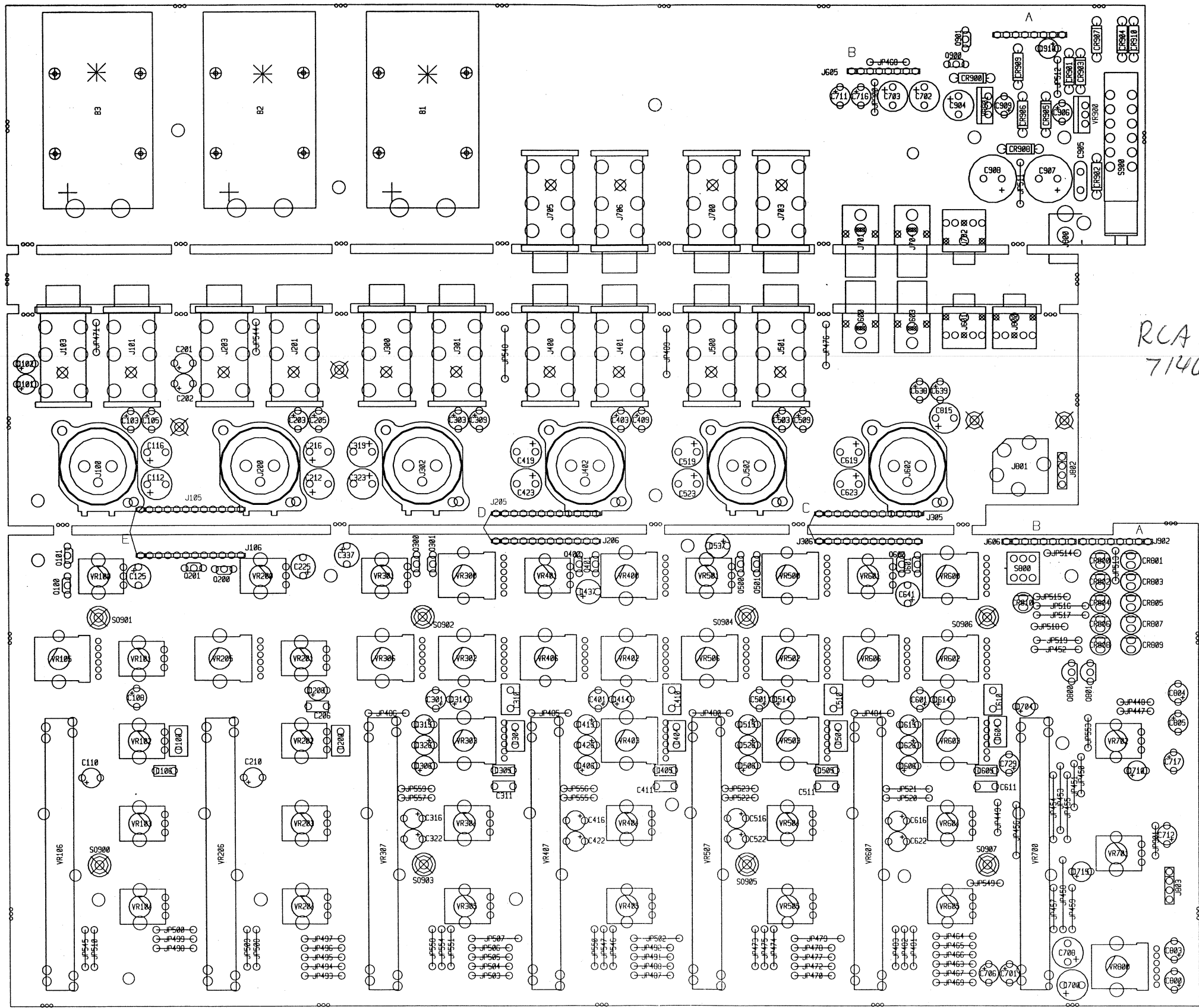
TOM STUCKMAN

DATE

3/6/00

ECN NUMBER

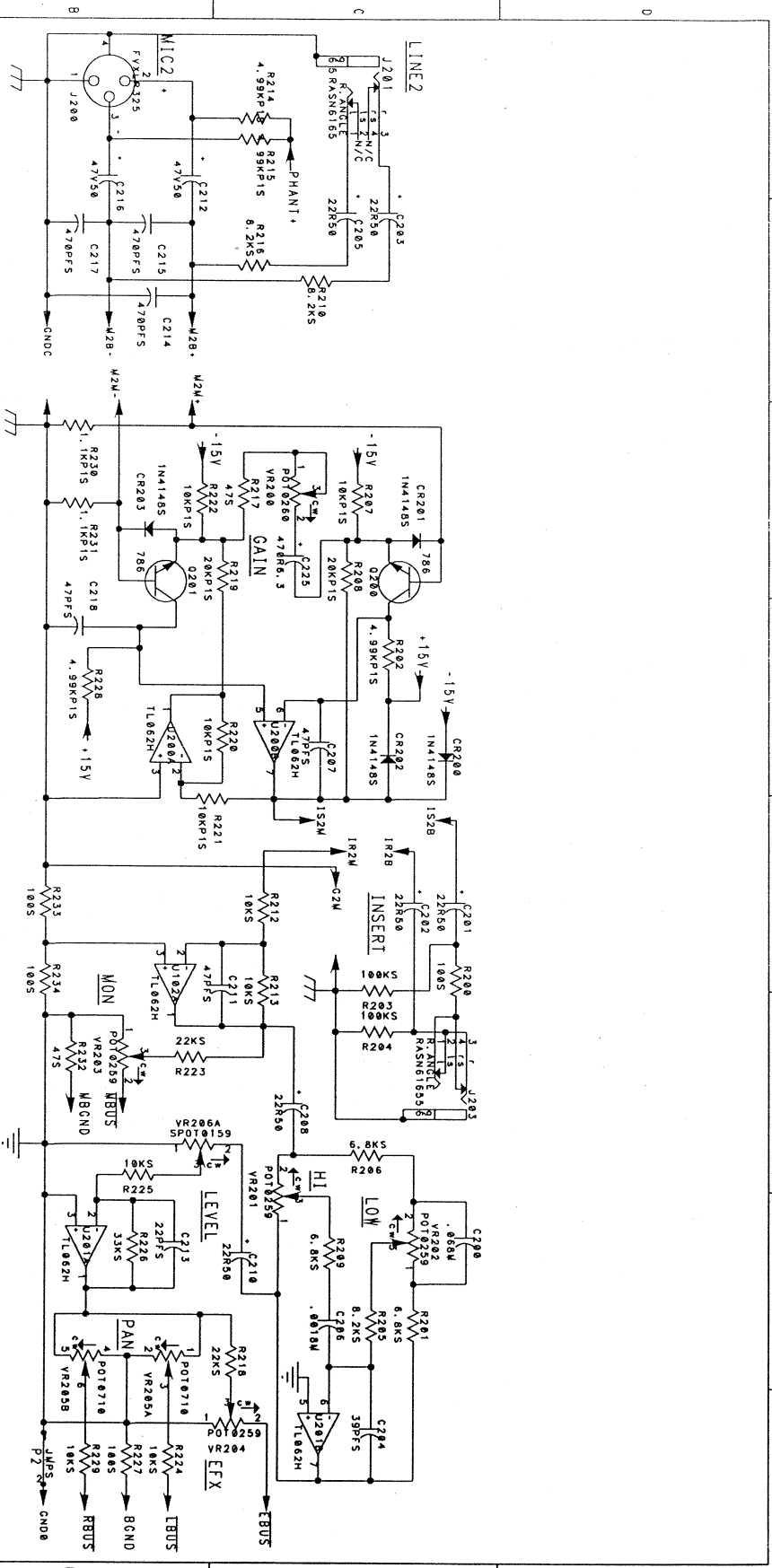
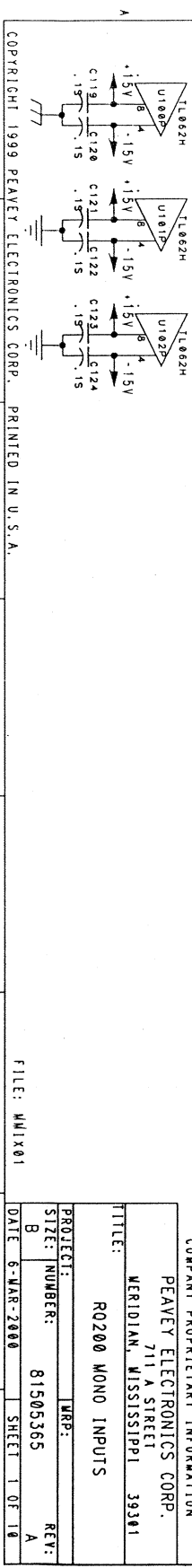
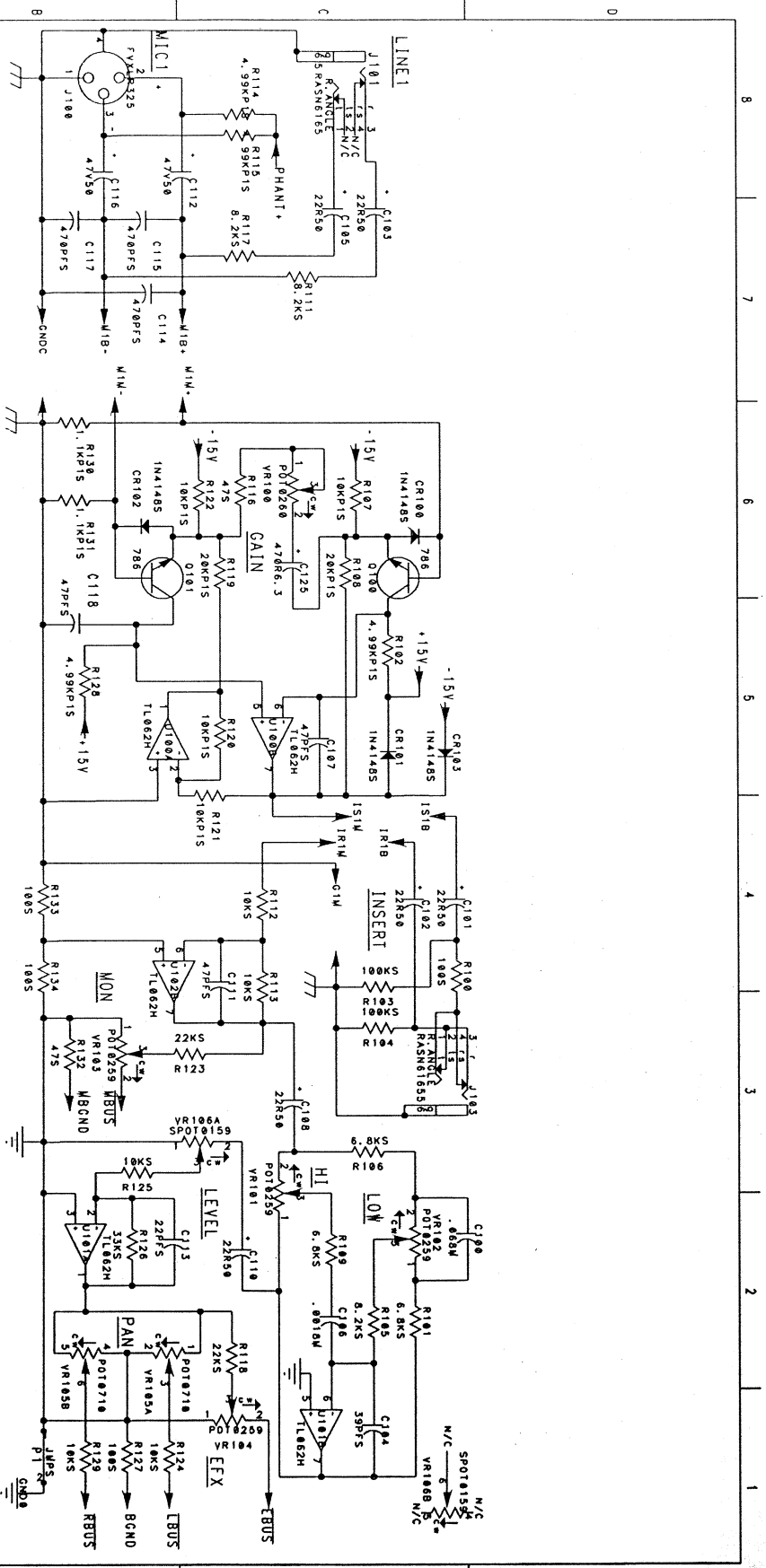
X



RCA Jucks
71466230

MADE IN USA

 PEAVEY ELECTRONICS CORPORATION 711 A STREET MERIDIAN, MS 39301	BOARD NAME RQ 200	BOARD NUMBER 98872980	ASSEMBLY NUMBER 8952980	DESIGNER L. J. ZIM	ENGINEER TOM STUCKMAN	DATE 3/6/70	ECN NUMBER X
--	----------------------	--------------------------	----------------------------	-----------------------	--------------------------	----------------	-----------------



COMPANY PROPRIETARY INFORMATION -
 PEAVEY ELECTRONICS CORP.
 711 A STREET
 MERIDIAN, MISSISSIPPI 39301

PROJECT: RQ200 MONO INPUTS
 SIZE: NUMBER: 81505365
 DATE: 6-MAR-2000 SHEET 2 OF 10

FILE: M1X02

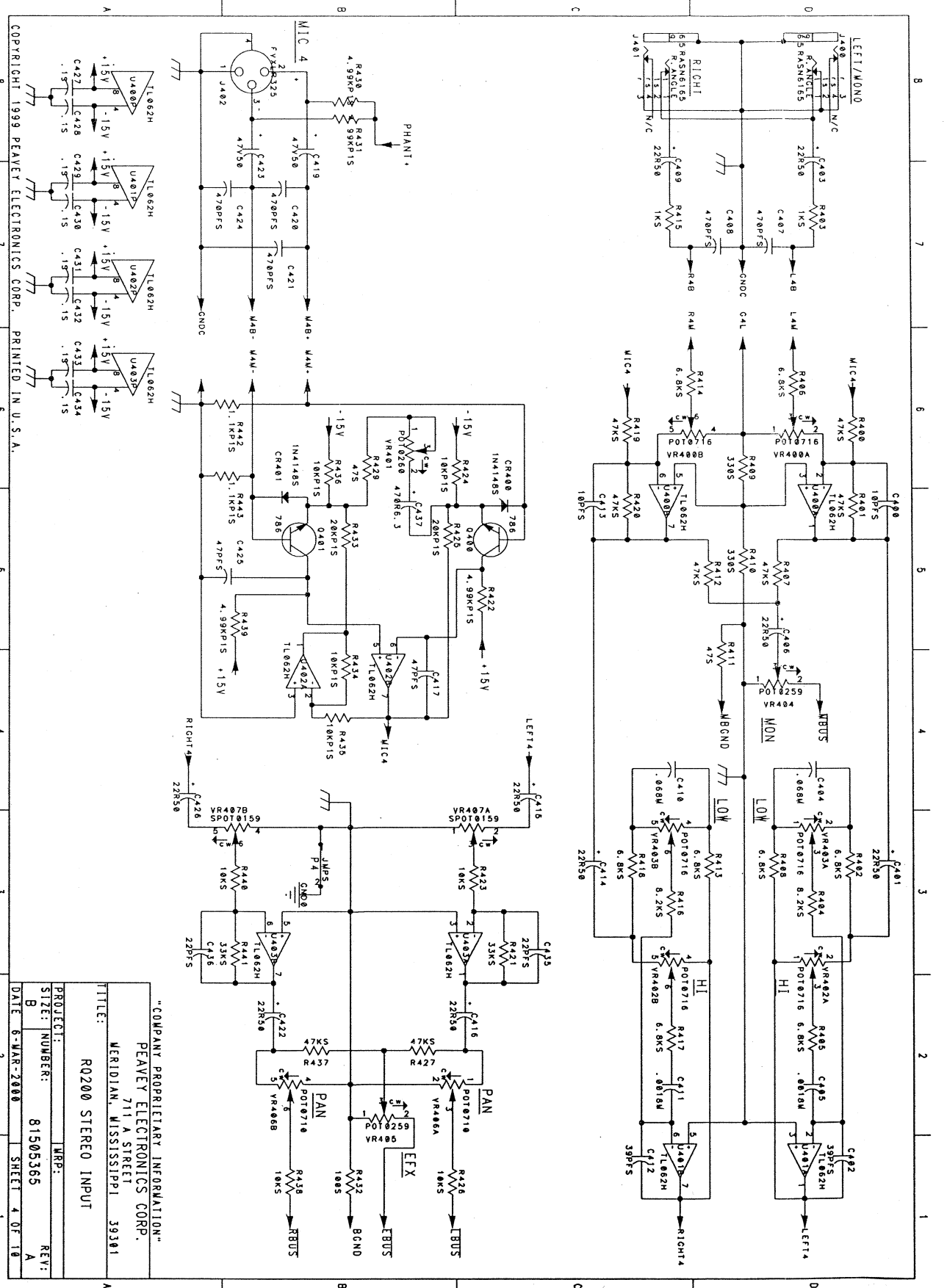
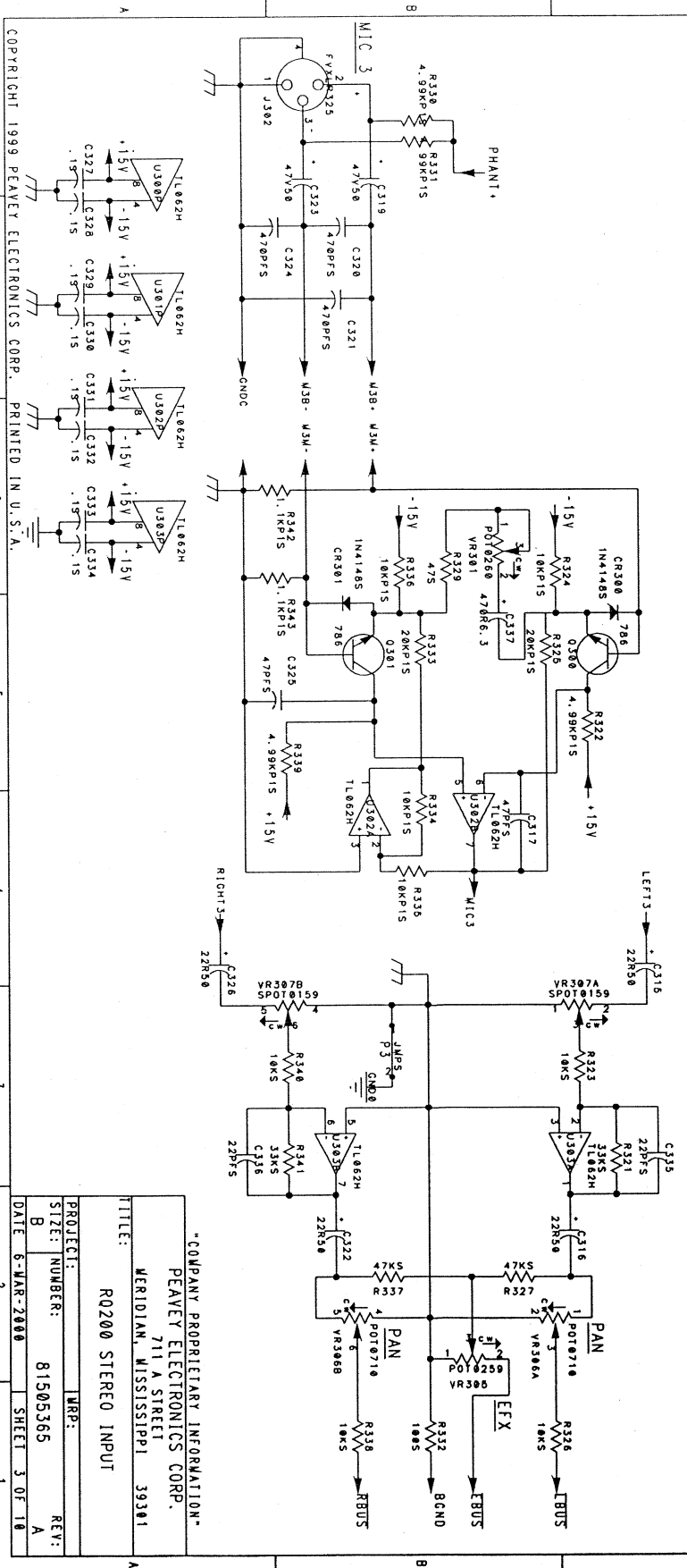
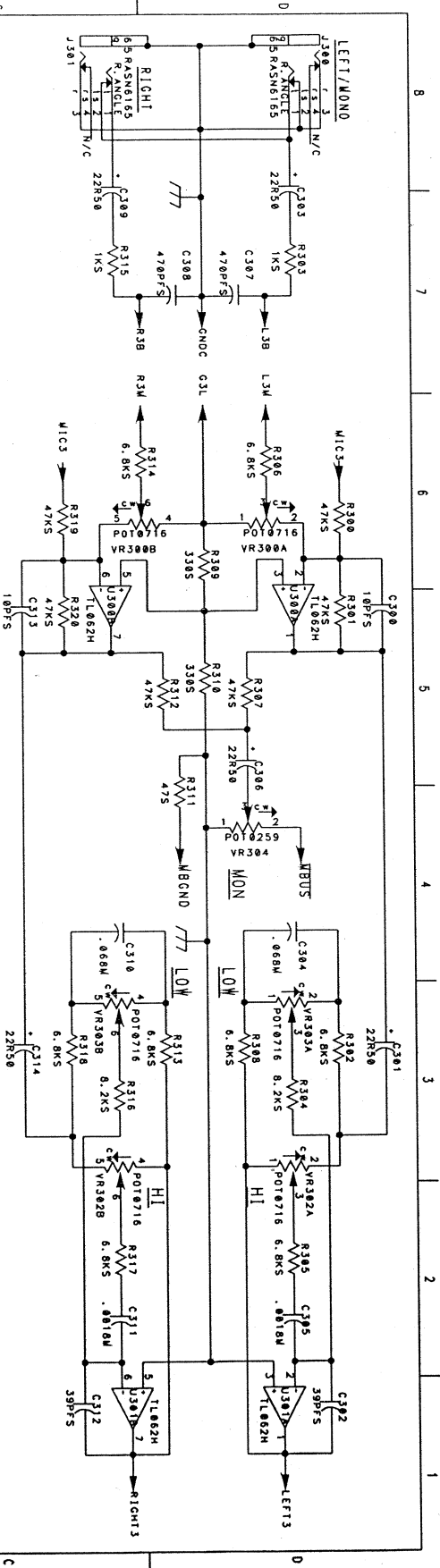
SPOT155
 VR100 N/C
 VR101 N/C
 VR102 N/C
 VR103 N/C
 VR104 N/C
 VR105 N/C
 VR106 N/C

COMPANY PROPRIETARY INFORMATION -
 PEAVEY ELECTRONICS CORP.
 711 A STREET
 MERIDIAN, MISSISSIPPI 39301

PROJECT: RQ200 MONO INPUTS
 SIZE: NUMBER: 81505365
 DATE: 6-MAR-2000 SHEET 1 OF 10

FILE: M1X01

SPOT155
 VR100 N/C
 VR101 N/C
 VR102 N/C
 VR103 N/C
 VR104 N/C
 VR105 N/C
 VR106 N/C



"COMPANY PROPRIETARY INFORMATION"
 PEAVEY ELECTRONICS CORP.
 711 A STREET
 MERIDIAN, MISSISSIPPI 39301
 TITLE: R0200 STEREO INPUT
 PROJECT: NRP:
 SIZE: NUMBER: 81505365 REV: A
 DATE: 6-MAR-2000 SHEET 4 OF 10

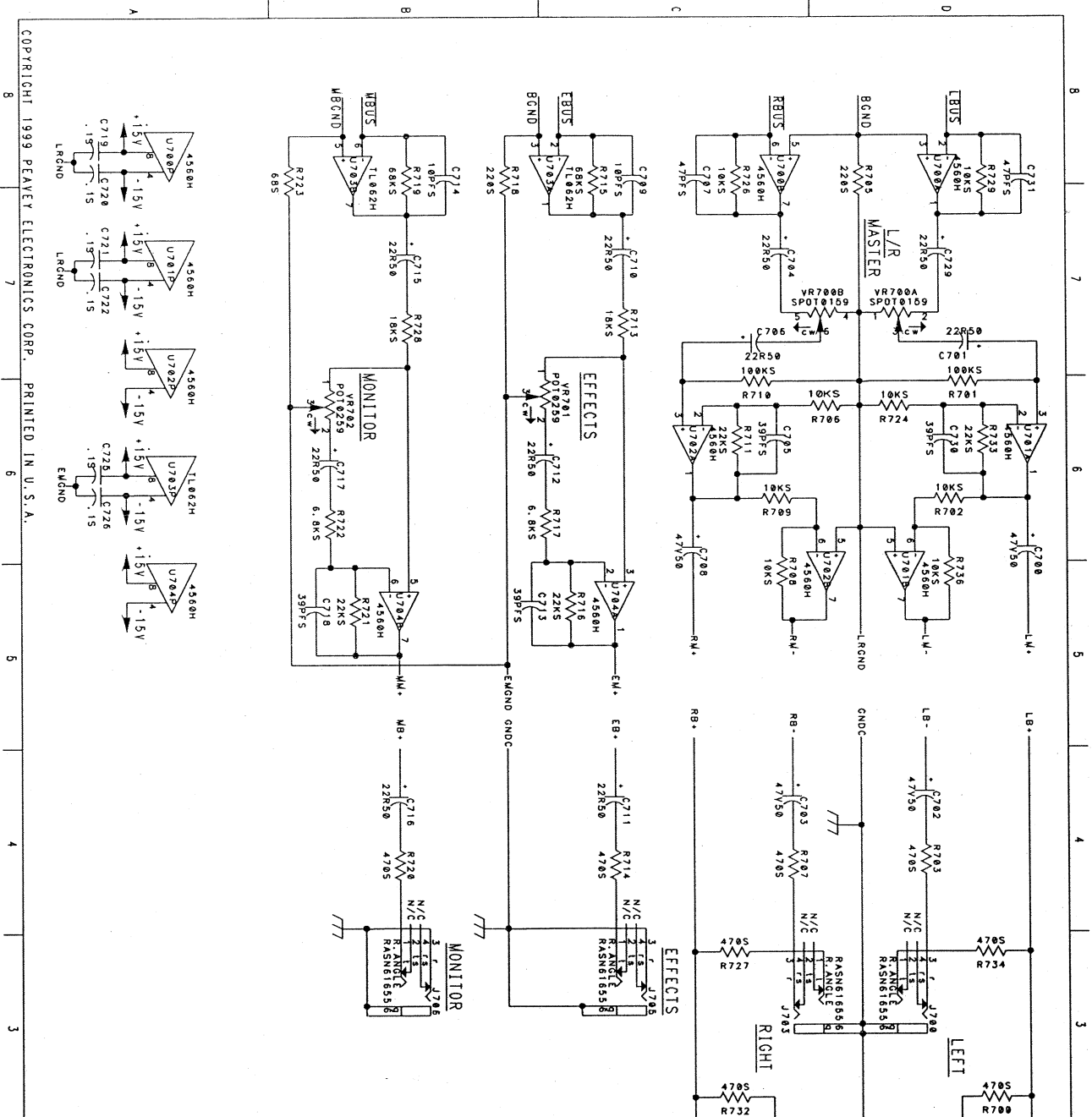
"COMPANY PROPRIETARY INFORMATION"
 PEAVEY ELECTRONICS CORP.
 711 A STREET
 MERIDIAN, MISSISSIPPI 39301
 TITLE: R0200 STEREO INPUT
 PROJECT: NRP:
 SIZE: NUMBER: 81505365 REV: A
 DATE: 6-MAR-2000 SHEET 3 OF 10

"COMPANY PROPRIETARY INFORMATION"
 PEAVEY ELECTRONICS CORP.
 711 A STREET
 MERIDIAN, MISSISSIPPI 39301
 TITLE: R0200 STEREO INPUT
 PROJECT: NRP:
 SIZE: NUMBER: 81505365 REV: A
 DATE: 6-MAR-2000 SHEET 4 OF 10

COMPANY PROPRIETARY INFORMATION
 PEAVEY ELECTRONICS CORP.
 711 A STREET
 MERIDIAN, MISSISSIPPI 39301

TITLE: R0200 MAIN OUTPUTS

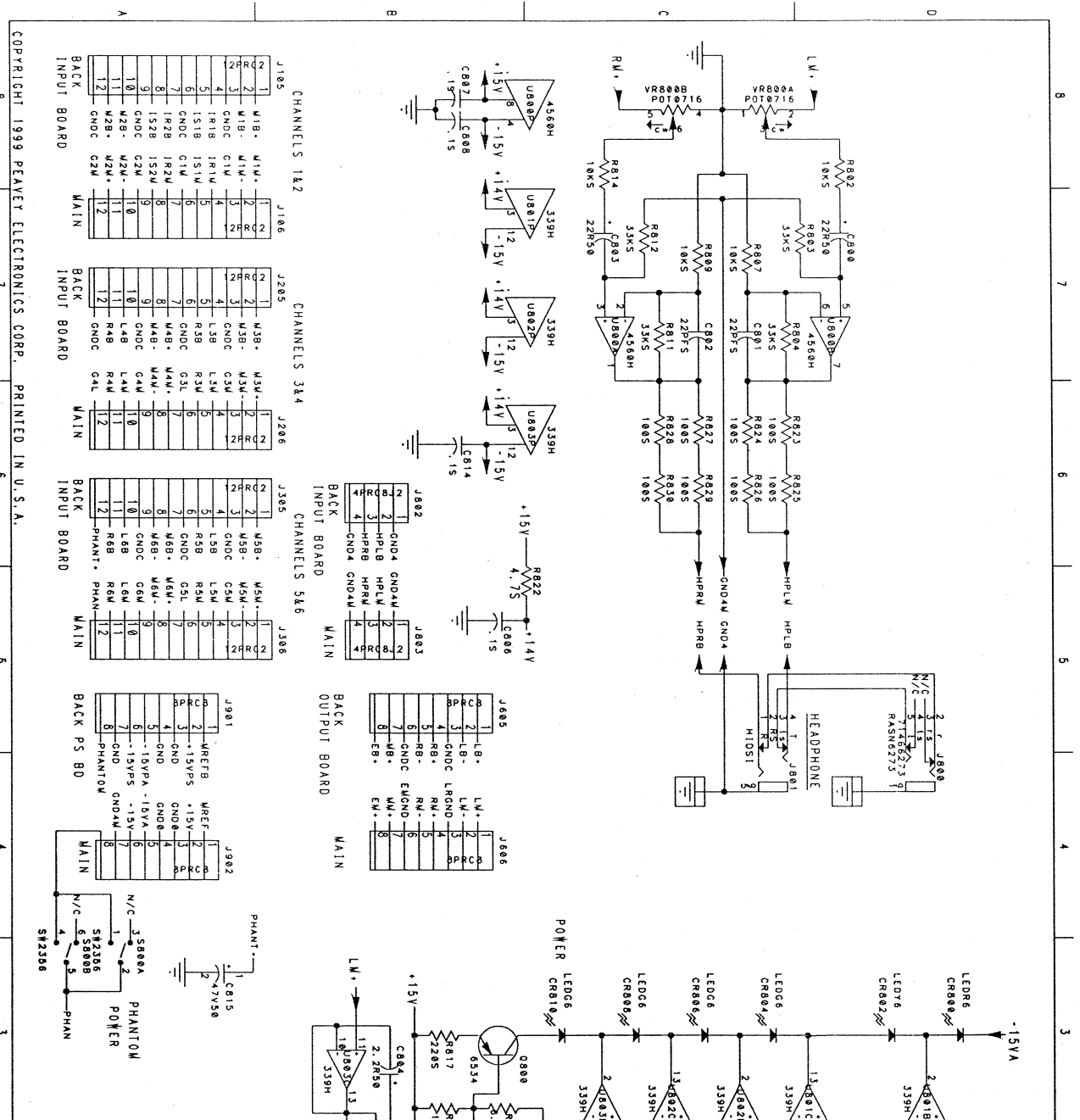
PROJECT: WRP:
 SIZE: NUMBER: 81505365 REV: A
 DATE: 6-MAR-2000 SHEET 7 OF 10

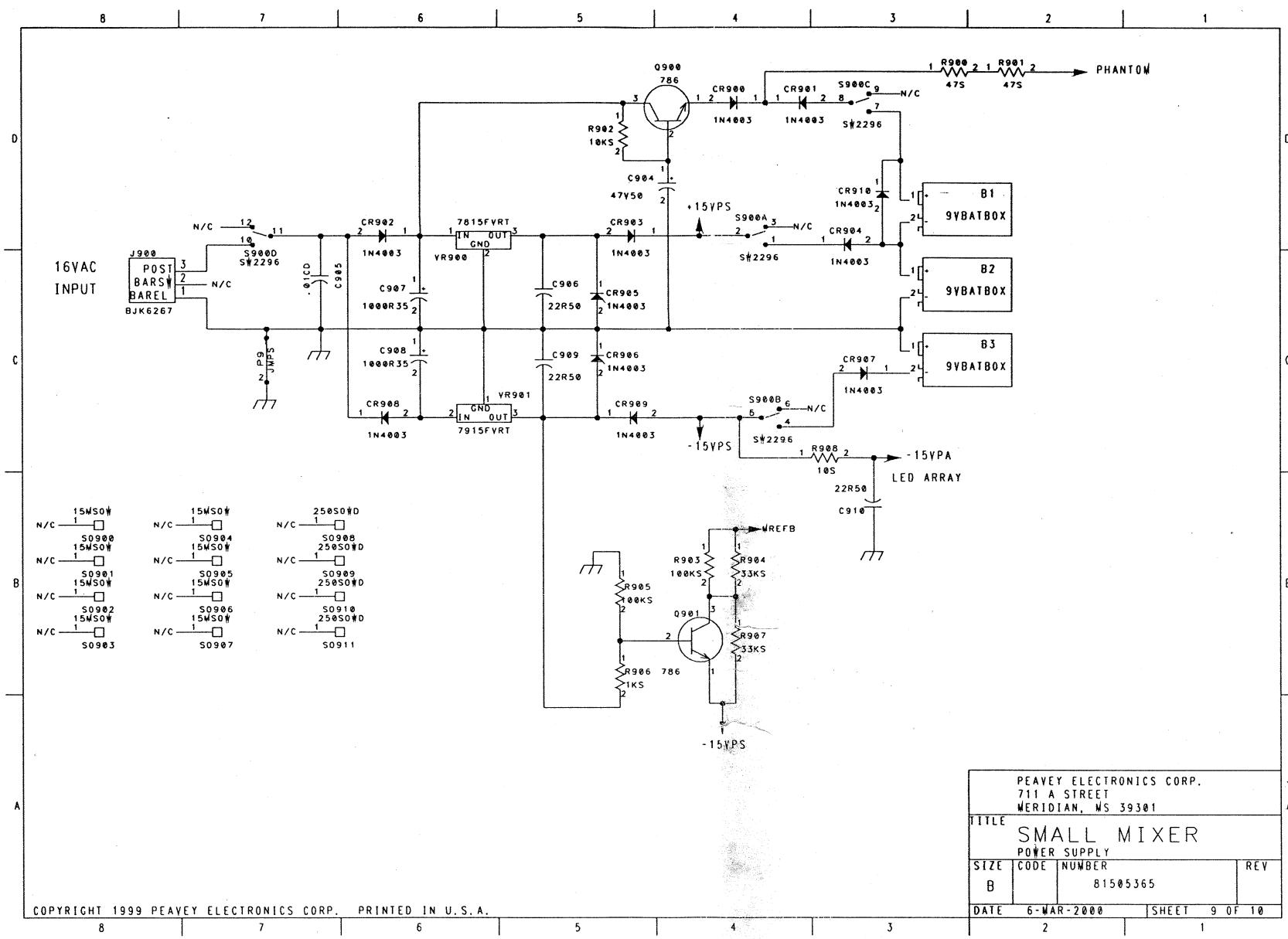


COMPANY PROPRIETARY INFORMATION
 PEAVEY ELECTRONICS CORP.
 711 A STREET
 MERIDIAN, MISSISSIPPI 39301

TITLE: R0200 STEREO INPUT

PROJECT: WRP:
 SIZE: NUMBER: 81505365 REV: A
 DATE: 6-MAR-2000 SHEET 8 OF 10





- | | | |
|--------|--------|--------|
| 15WS04 | 15WS04 | 25S010 |
| N/C | N/C | N/C |
| S0900 | S0904 | S0908 |
| 15WS04 | 15WS04 | 25S010 |
| N/C | N/C | N/C |
| S0901 | S0905 | S0909 |
| 15WS04 | 15WS04 | 25S010 |
| N/C | N/C | N/C |
| S0902 | S0906 | S0910 |
| 15WS04 | 15WS04 | 25S010 |
| N/C | N/C | N/C |
| S0903 | S0907 | S0911 |

PEAVEY ELECTRONICS CORP.
 711 A STREET
 MERIDIAN, MS 39301

TITLE
SMALL MIXER
 POWER SUPPLY

SIZE	CODE	NUMBER	REV
B		81505365	

DATE 6-MAR-2000 SHEET 9 OF 10