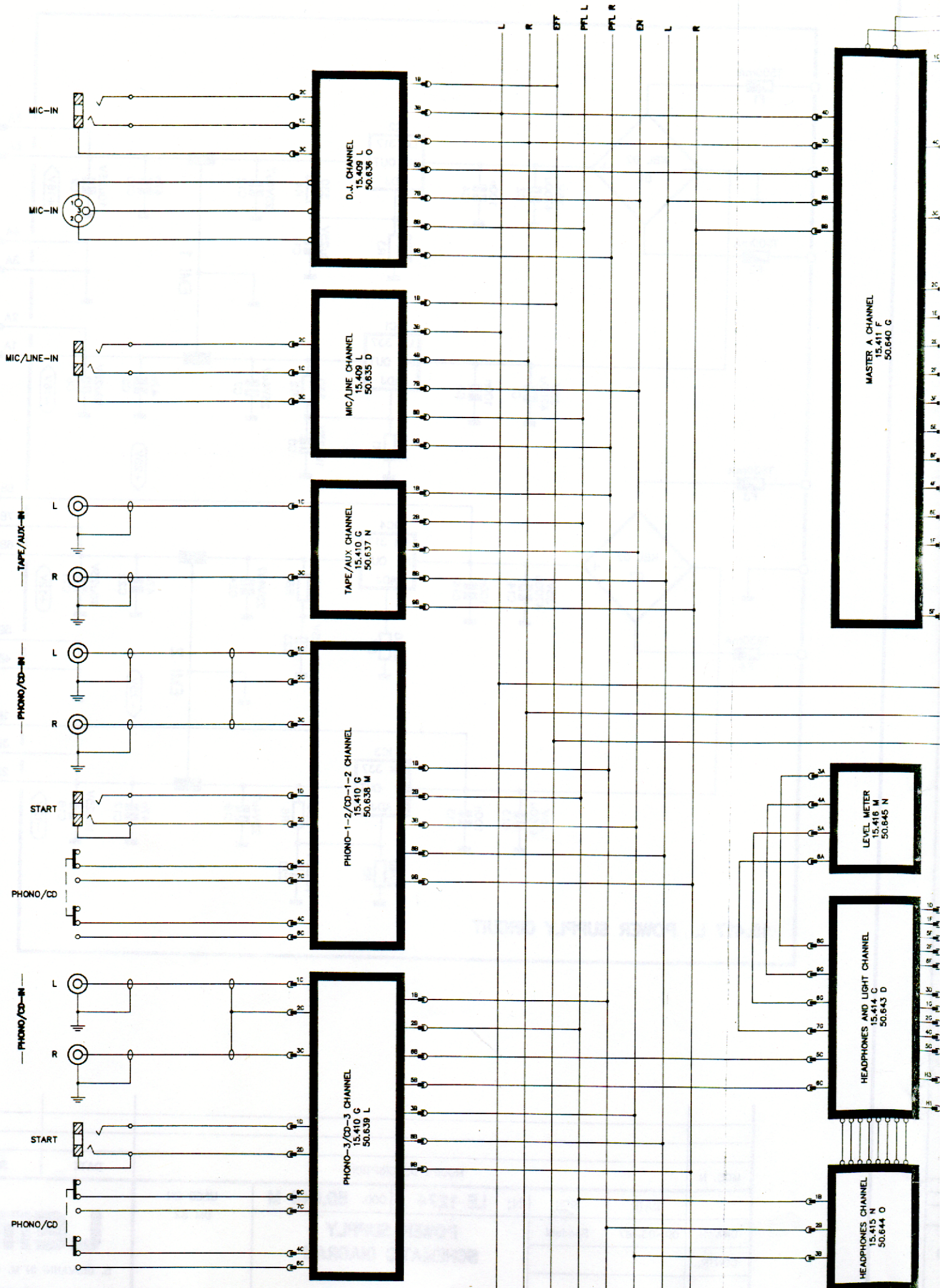


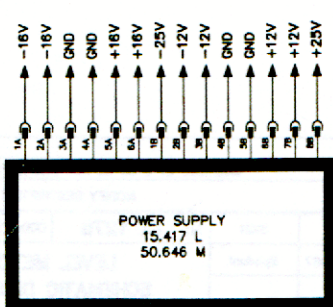
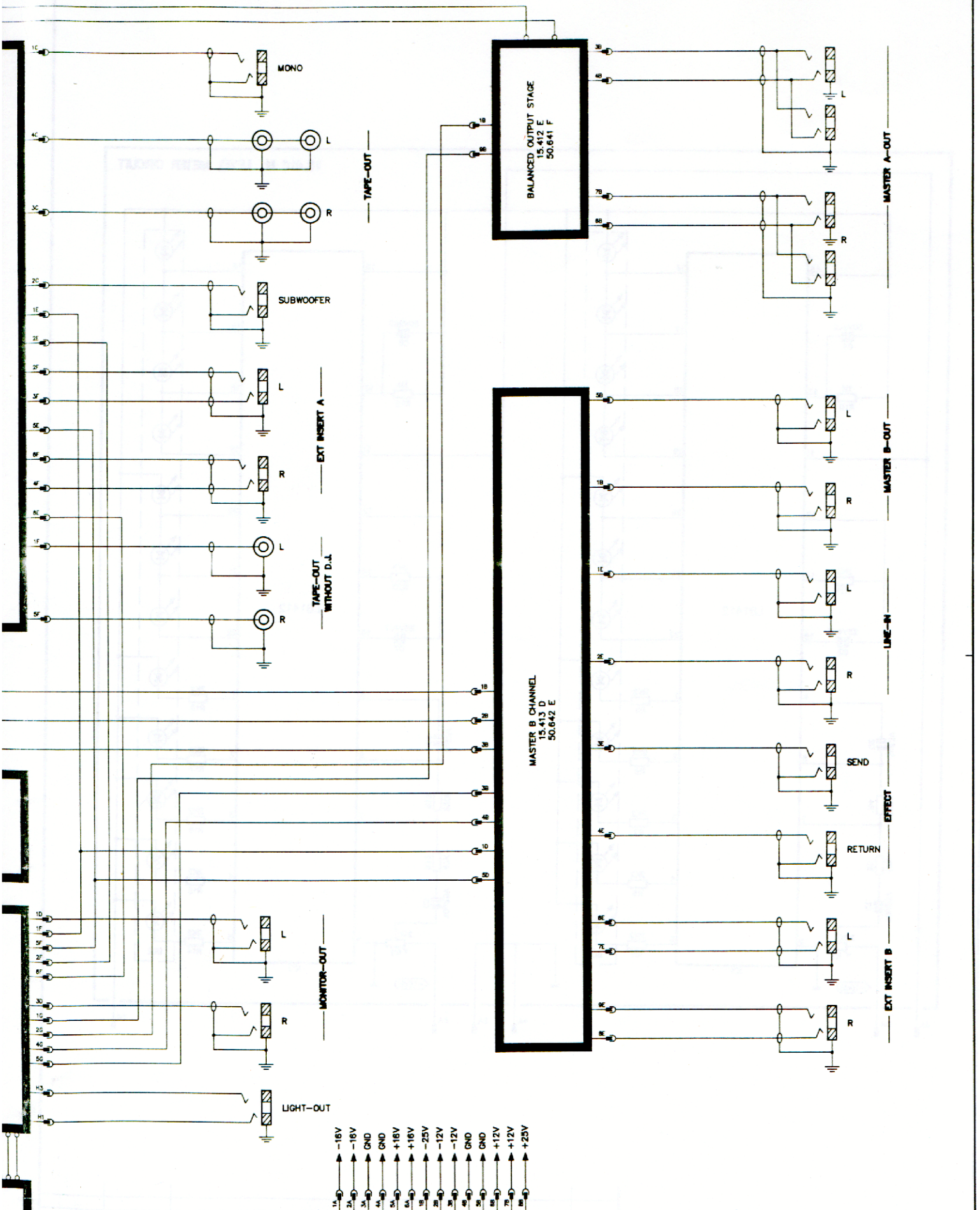
LEM®

DM 82

stereo disco mixer

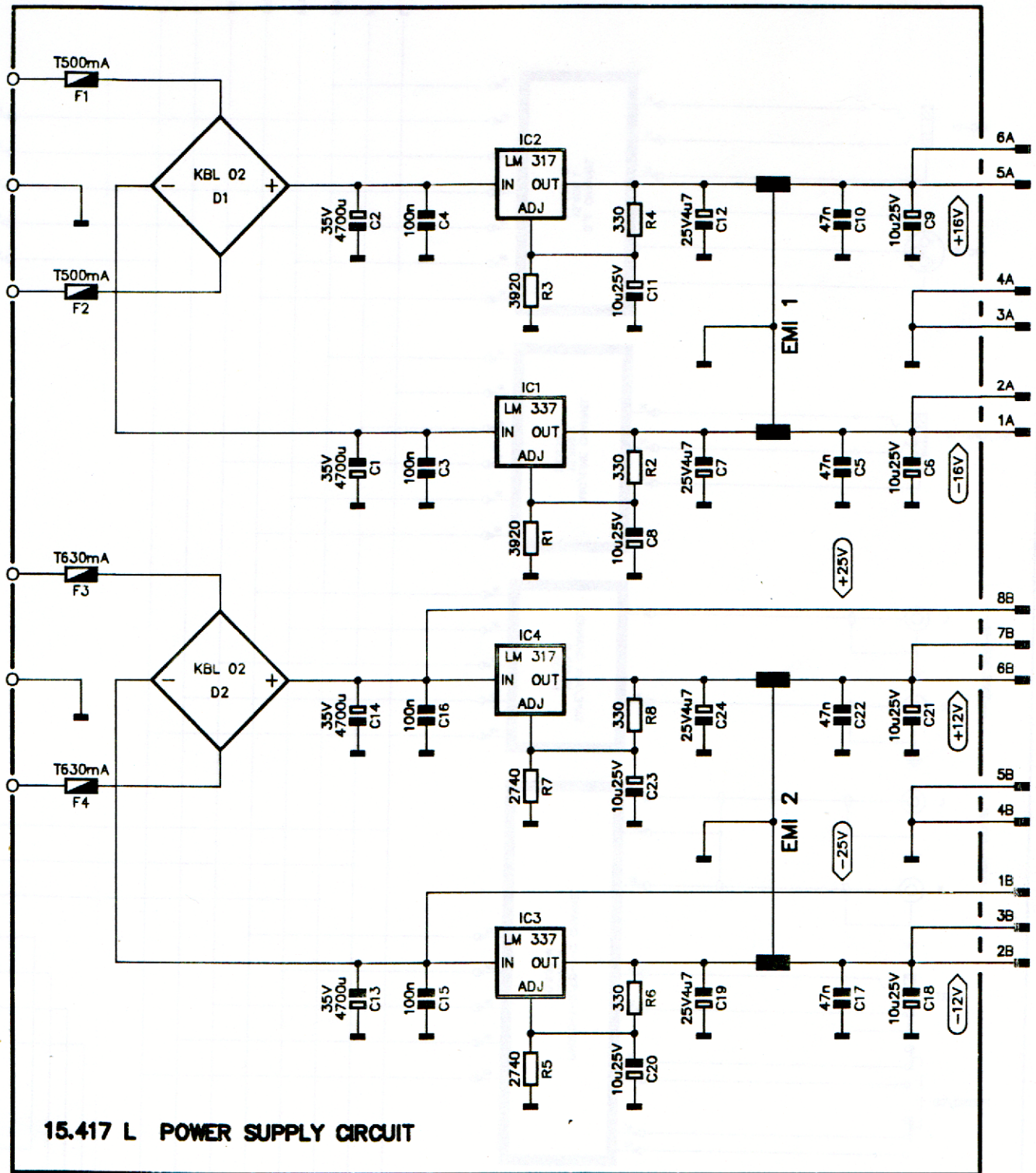
*manuale di servizio
service manual*






MOD. N		MODIFY DESCRIPTION		DATE	SIGN
DATE	BY	N:	LE 1280	COO:	80.531 H
DRAWN	08-07-87	Specimen	INTERCONNECTION SYSTEM		USED ON DM 82
CONTR.					

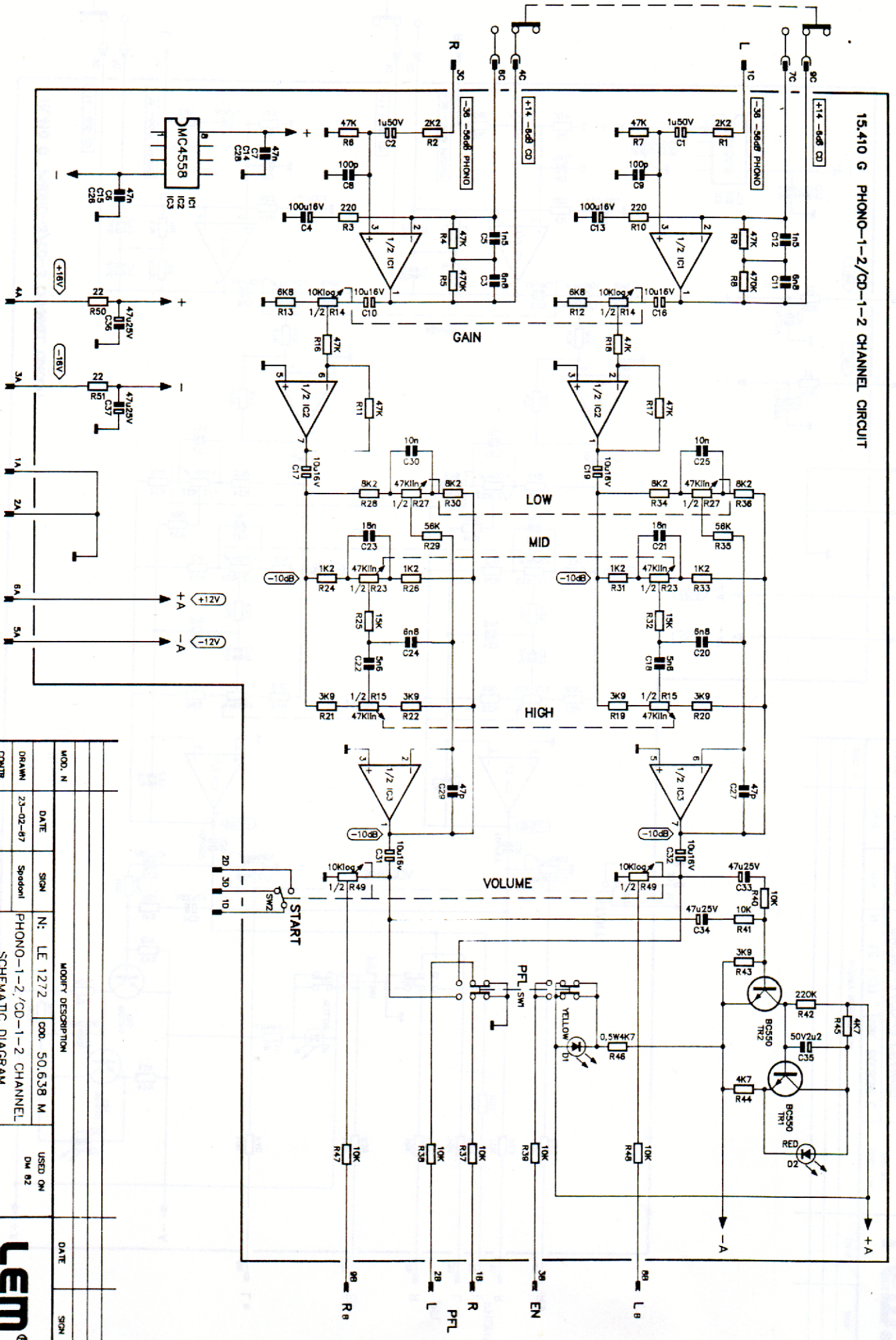
LEM
S. GIOVANNI N. M. (FO)



MOD. N		MODIFY DESCRIPTION			DATE	SIGN
DRAWN	09-03-87	SIGN	N: LE 1274	COD. 50.846 M	USED ON DM 82	 S. GIOVANNI IN M. (FO)
CONTR.			POWER SUPPLY SCHEMATIC DIAGRAM			

PHONO-1-2/CD-1-2

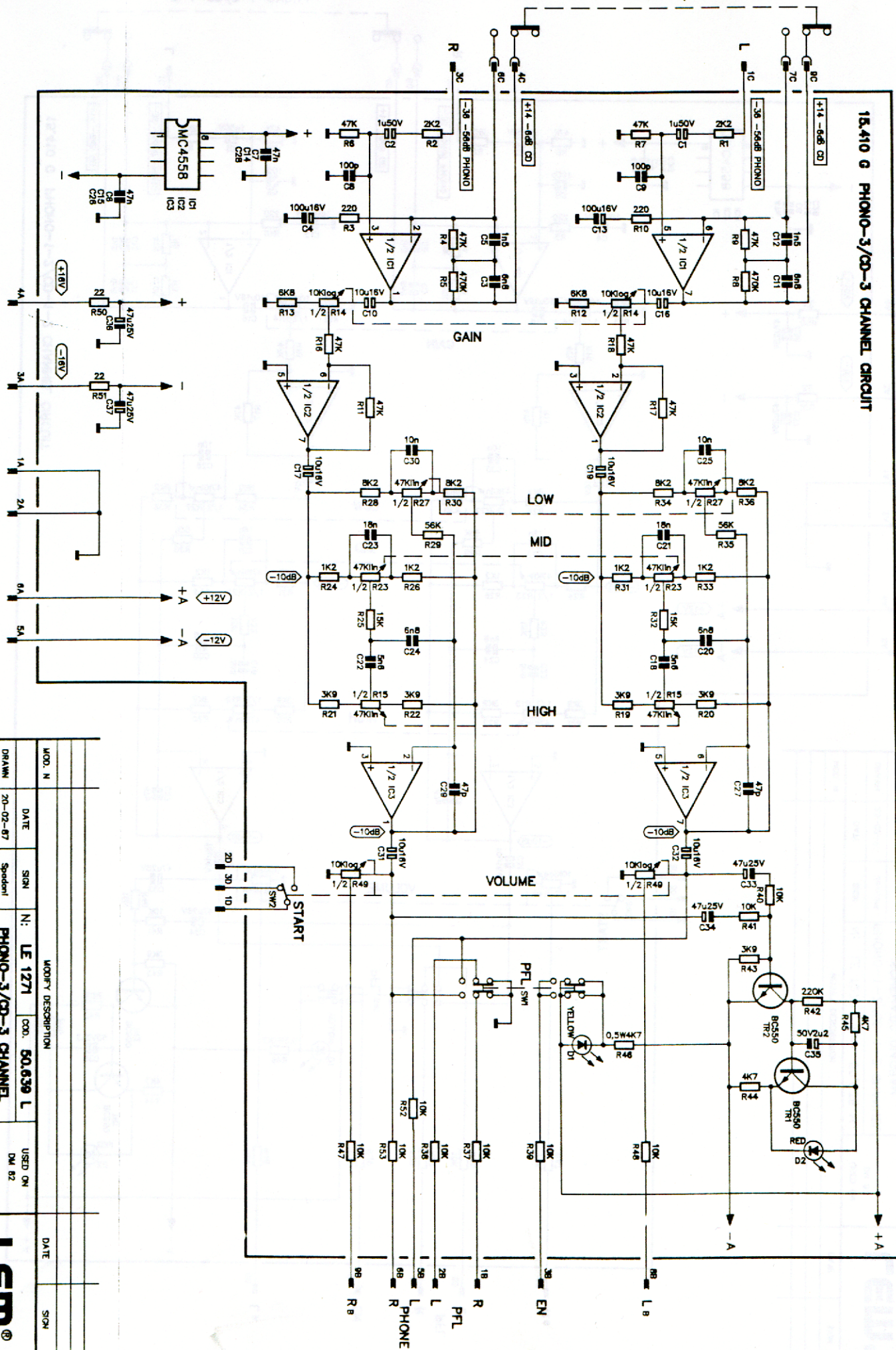
15.410 G PHONO-1-2/CD-1-2 CHANNEL CIRCUIT



MOD. N		DATE		SIGN		MODIFY DESCRIPTION		USED ON		DATE		SIGN	
DRAWN	23-02-87	Spadolini		N:	LE 1272	COD.	50.638 M						
PHONO-1-2/CD-1-2 CHANNEL SCHEMATIC DIAGRAM													
CONTR.													

15.410 G PHONO-3/CD-3 CHANNEL CIRCUIT

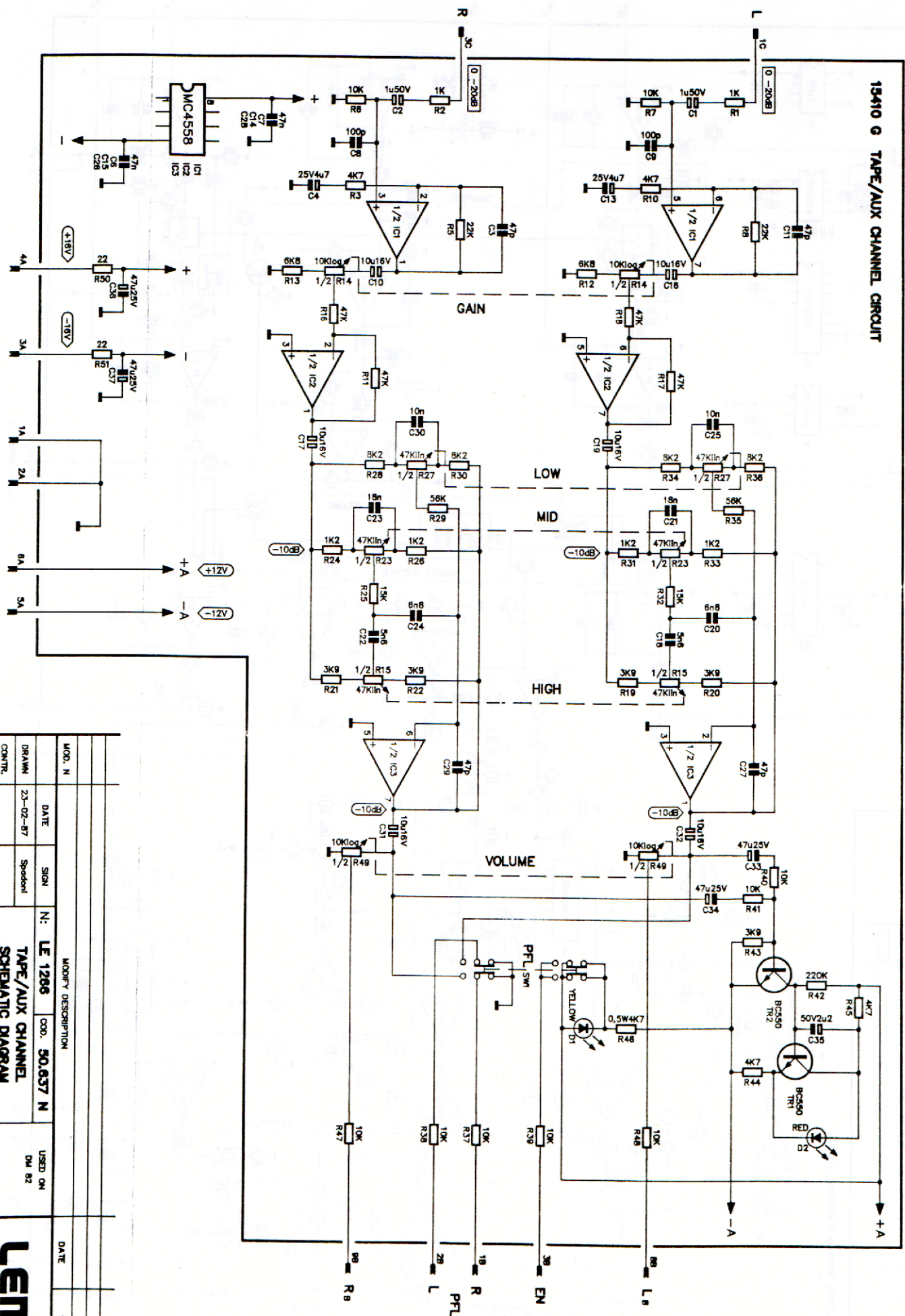
PHONO-3/CD-3



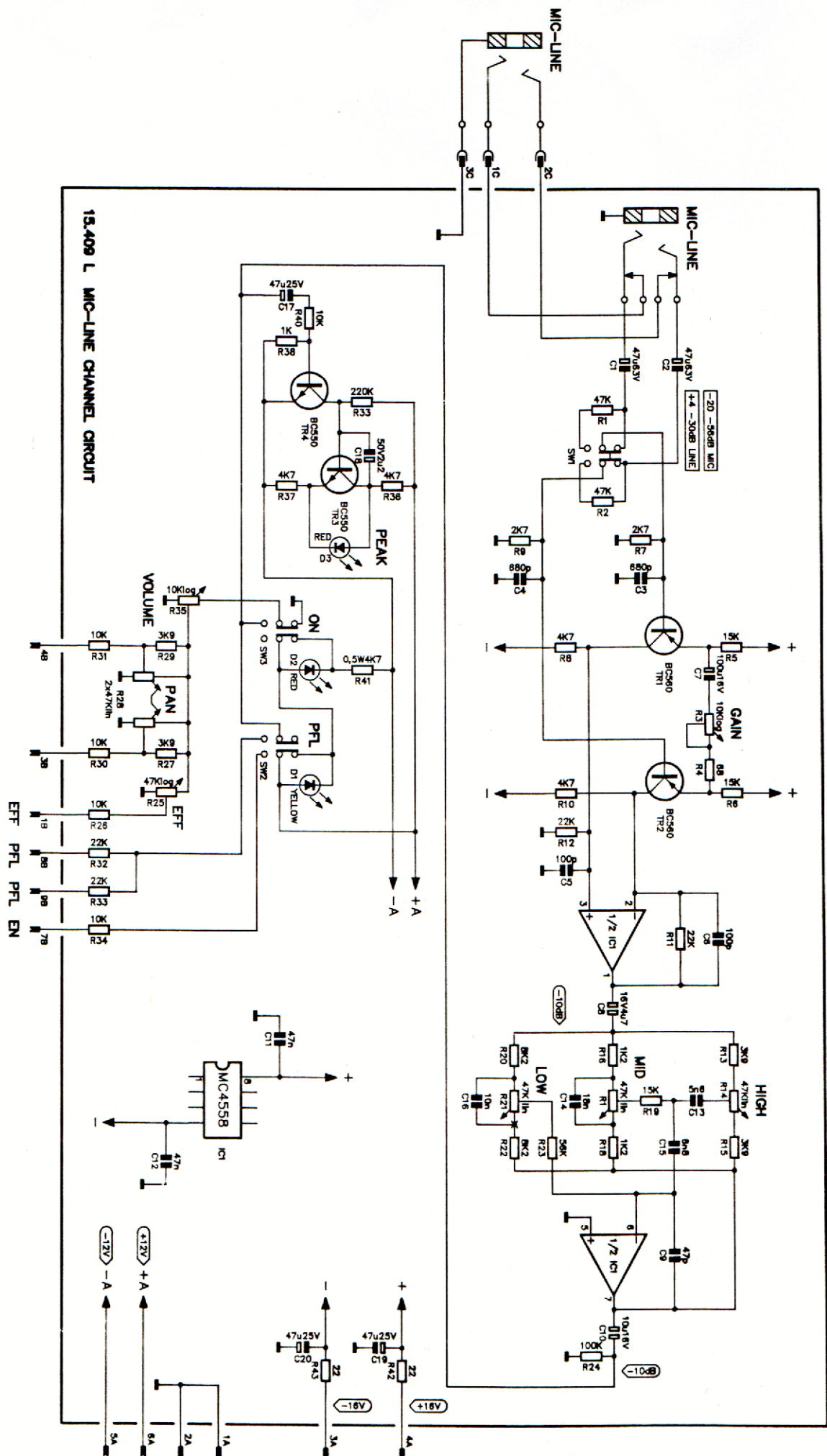
MODIFY DESCRIPTION				DATE	SIGN
MOD. N.	DATE	SIGN	N.:	LE 1271	COO. 50.639 L
DRAWN	20-02-87	Spadoni	USED ON	DM 82	
CONTR.					

PHONO-3/CD-3 CHANNEL
SCHEMATIC DIAGRAM

15410 G TAPE/AUX CHANNEL CIRCUIT



MOD. N		DATE		SIGN		MODIFY DESCRIPTION		DATE		SIGN	
DRAMA	23-02-87	Spedoni									
TAPPE/AUX CHANNEL		LE 1206		COD. 50.637 N		USED ON		DM 82			
SCHEMATIC DIAGRAM											
S. GIOVANNI N. L. (70)											



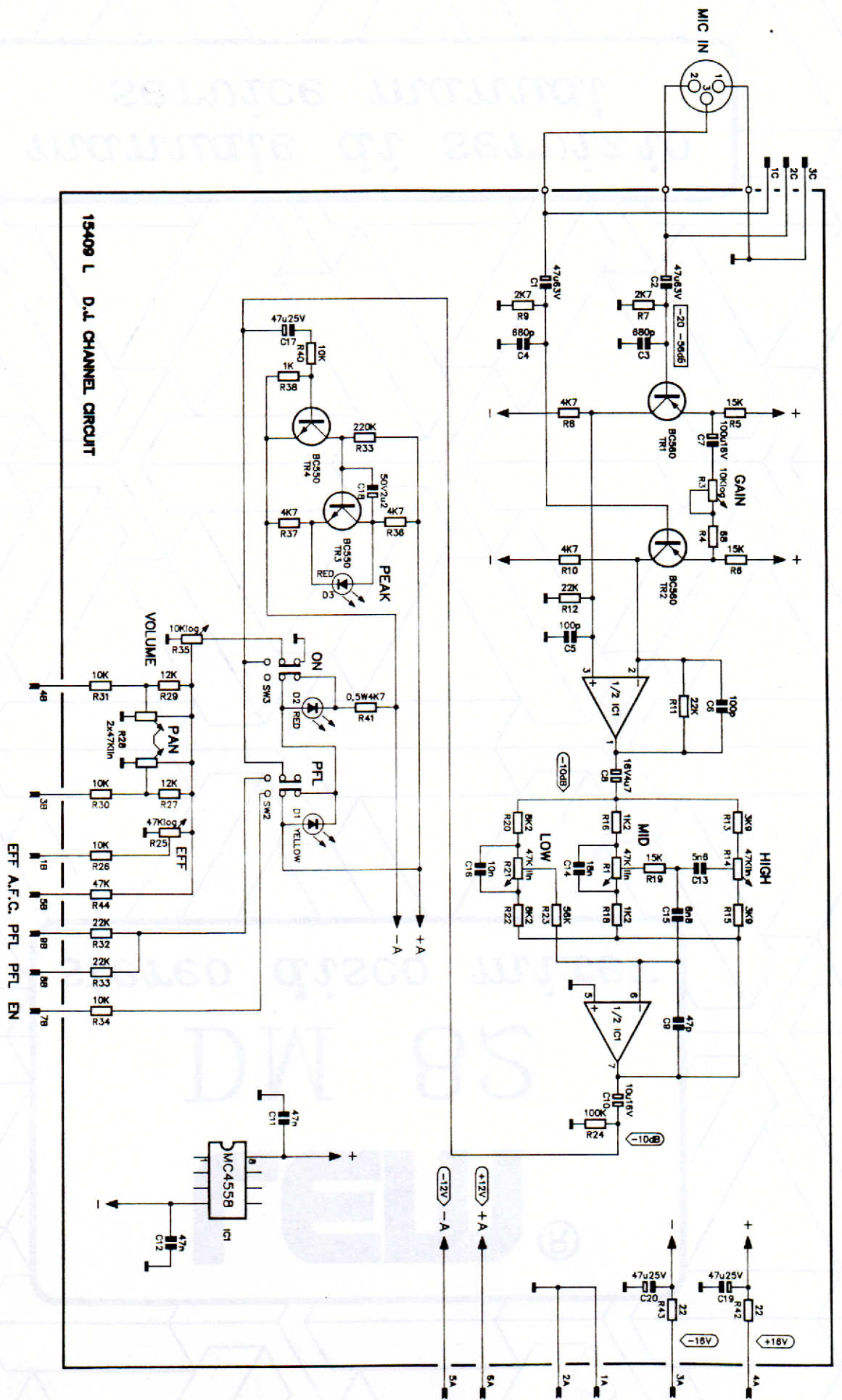
1		MOD. N		14-08-87		Spodoni	
DATE		SIGN		N: LE 1273		COD. 50.635 D	
DRAWN		23-02-87		Spodoni		USED ON	
CONTR.						DM 82	
MIC-LINE CHANNEL				SCHEMATIC DIAGRAM			
S. GIOVANNI IN M. (TO)				LEMM			

Modifiche R27 ed R28 da 12K a 3K9

MODIFY DESCRIPTION

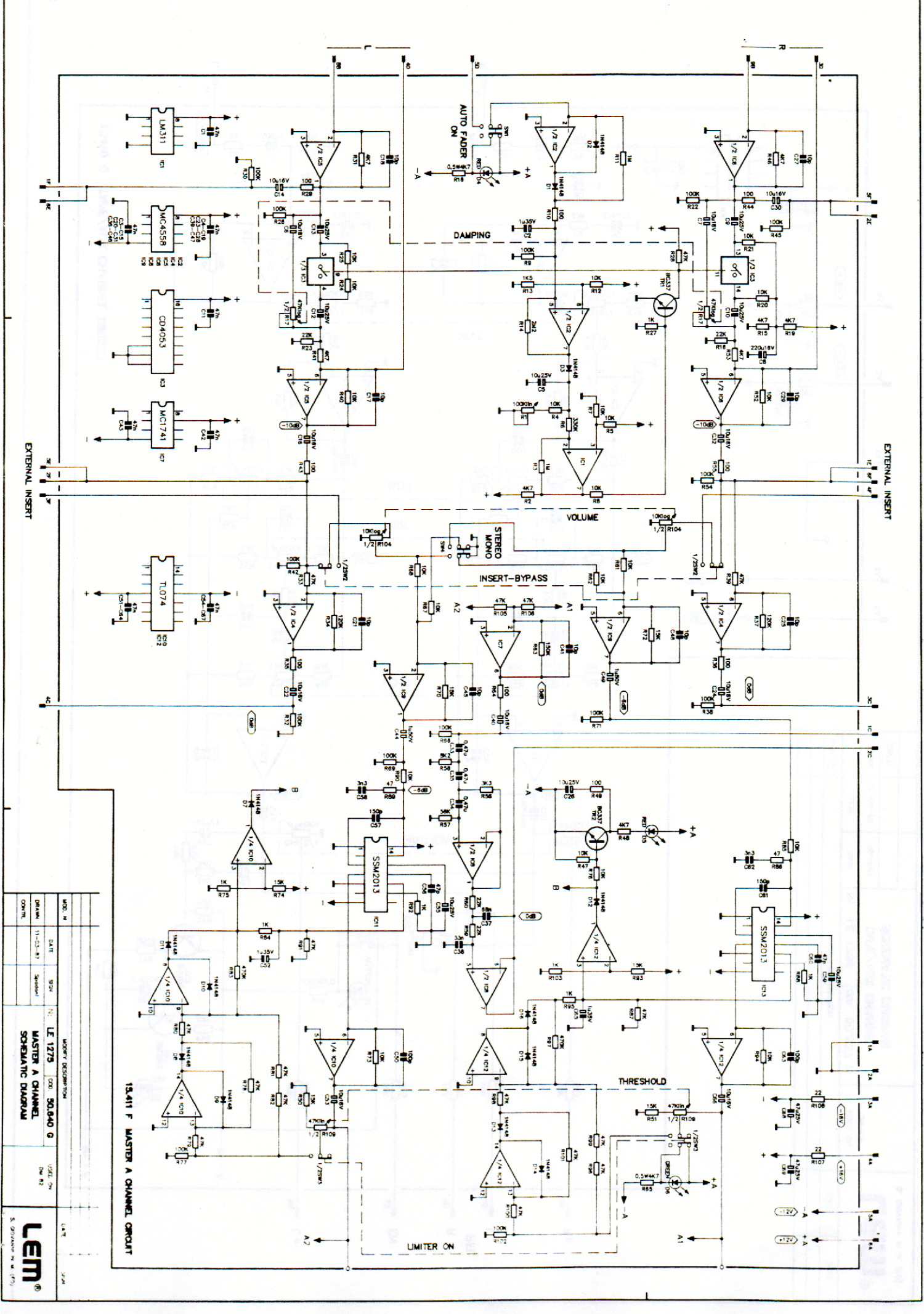
DATE

SIGN



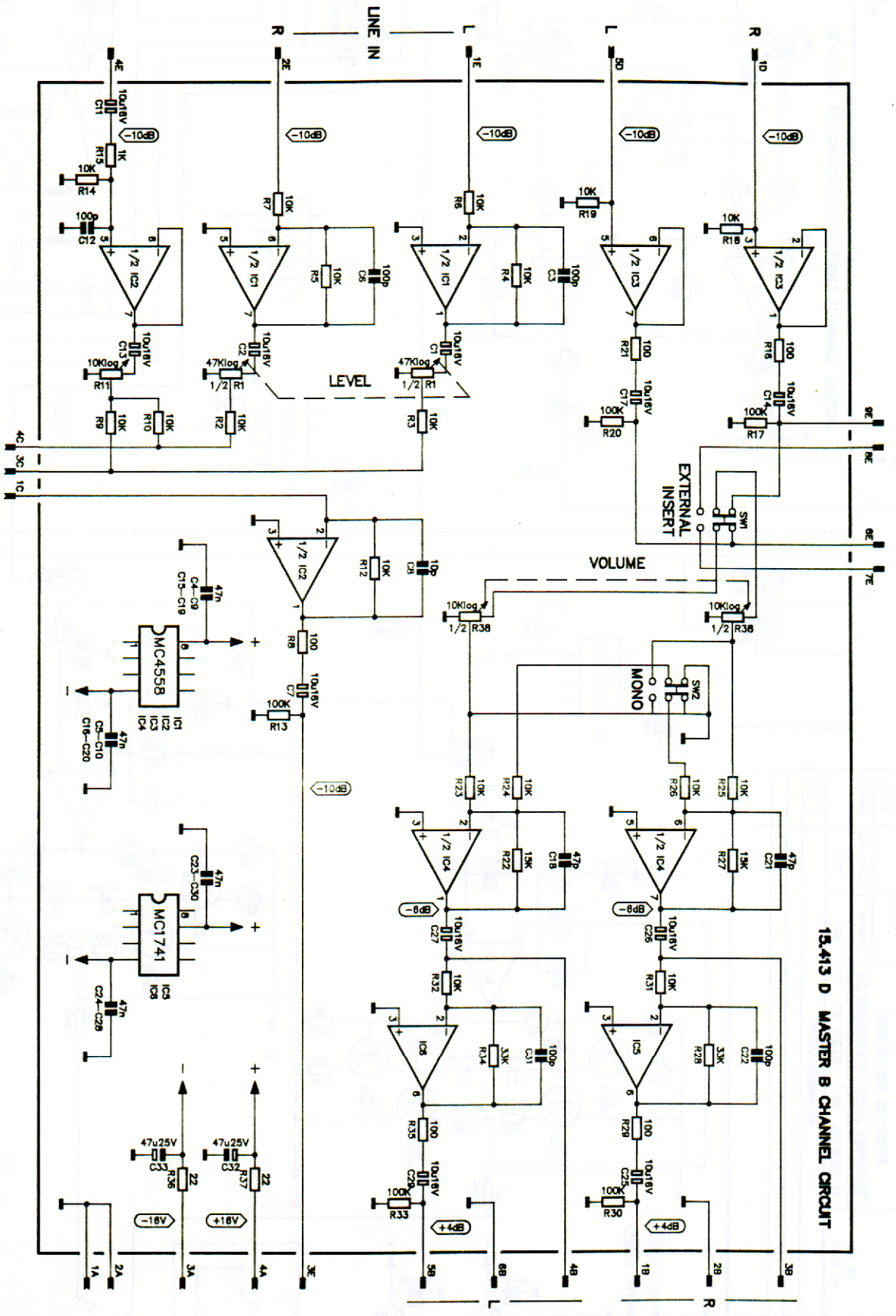
MOD. N.		DATE		SIGN.		N.		COD.		USED ON		DATE		SIGN.	
		18-02-37		Sporadic		LE 1285		50.636 0		DM 02					
D.J. CHANNEL															
SCHEMATIC DIAGRAM															
S. GIOVANNI IN V. (C)															





MOD. N.		DATE		REV.		USEL ON	
DRAMAN	11-02-87	SEMPER					
CONTR.							
REPORT DESCRIPTION MASTER A CHANNEL SCHEMATIC DIAGRAM				LEM S. GERARDINI IN. (C)			

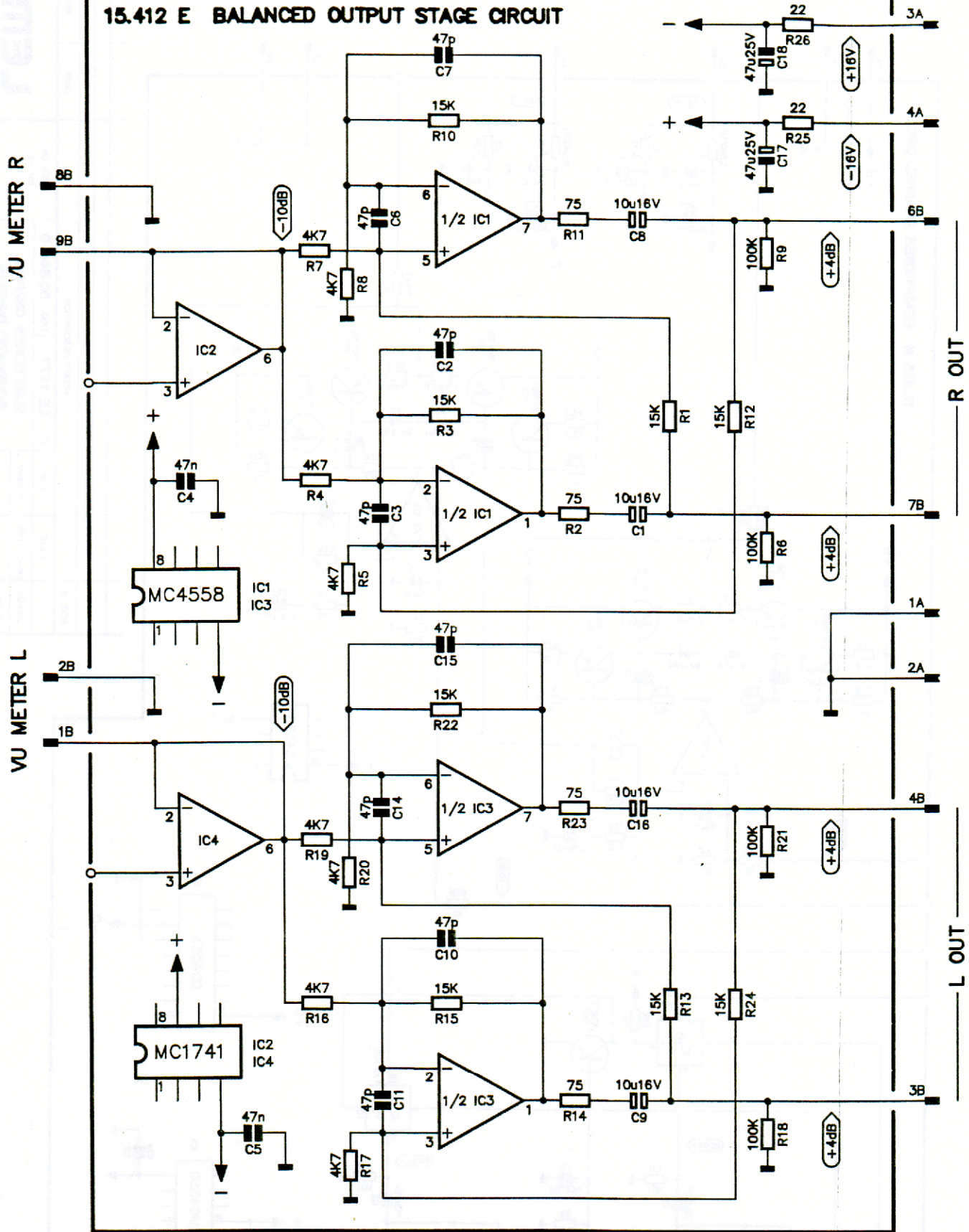
15.411 F MASTER A CHANNEL CIRCUIT




15.413 D MASTER B CHANNEL CIRCUIT

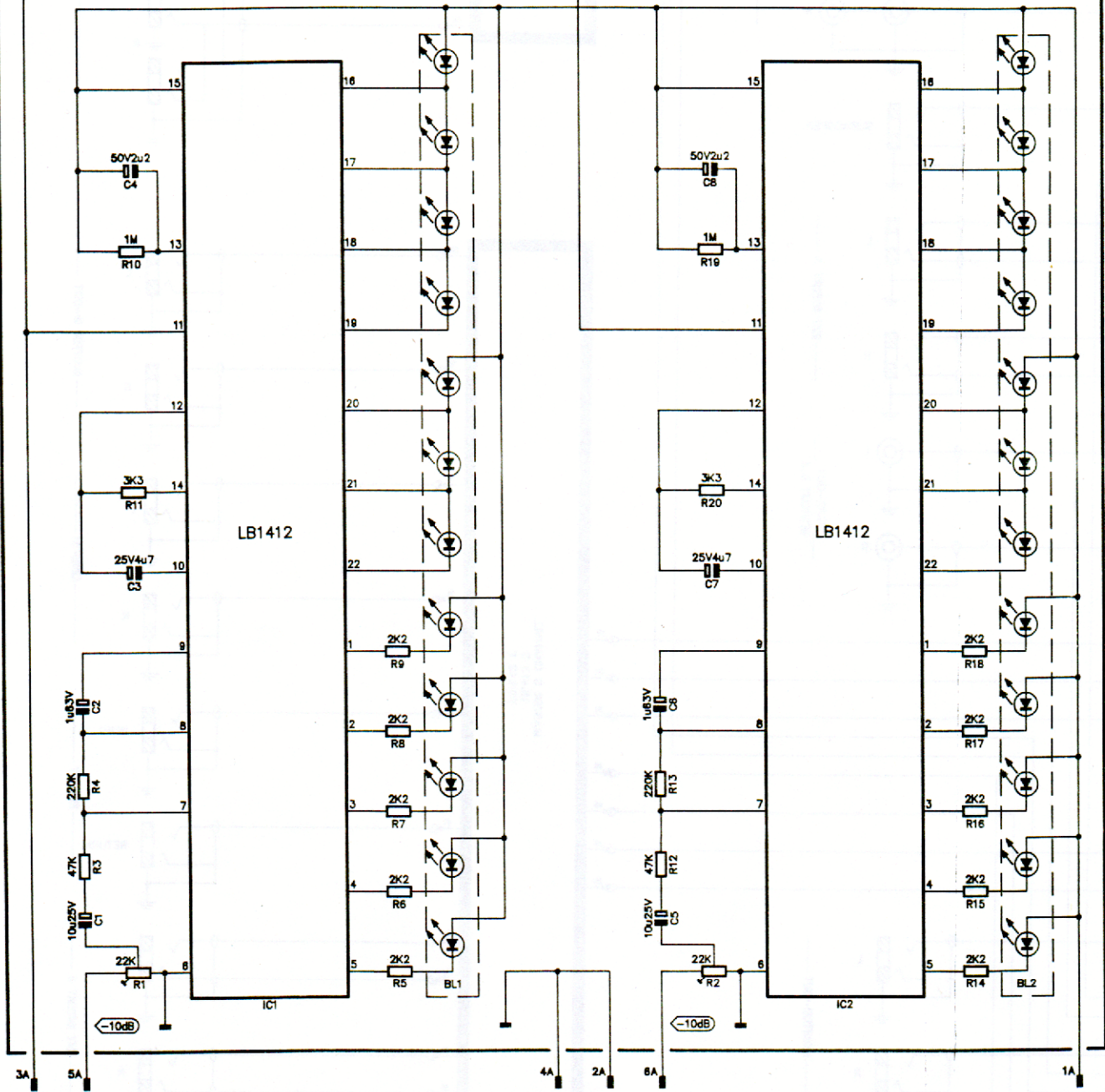
MODIFY DESCRIPTION				USED ON	
MOD. N	DATE	SIGN	N:	COO.	DM
	02-03-87	Spadoni	LE 1269	50.642 E	82
MASTER B CHANNEL SCHEMATIC DIAGRAM					
DATE	SIGN				

15.412 E BALANCED OUTPUT STAGE CIRCUIT

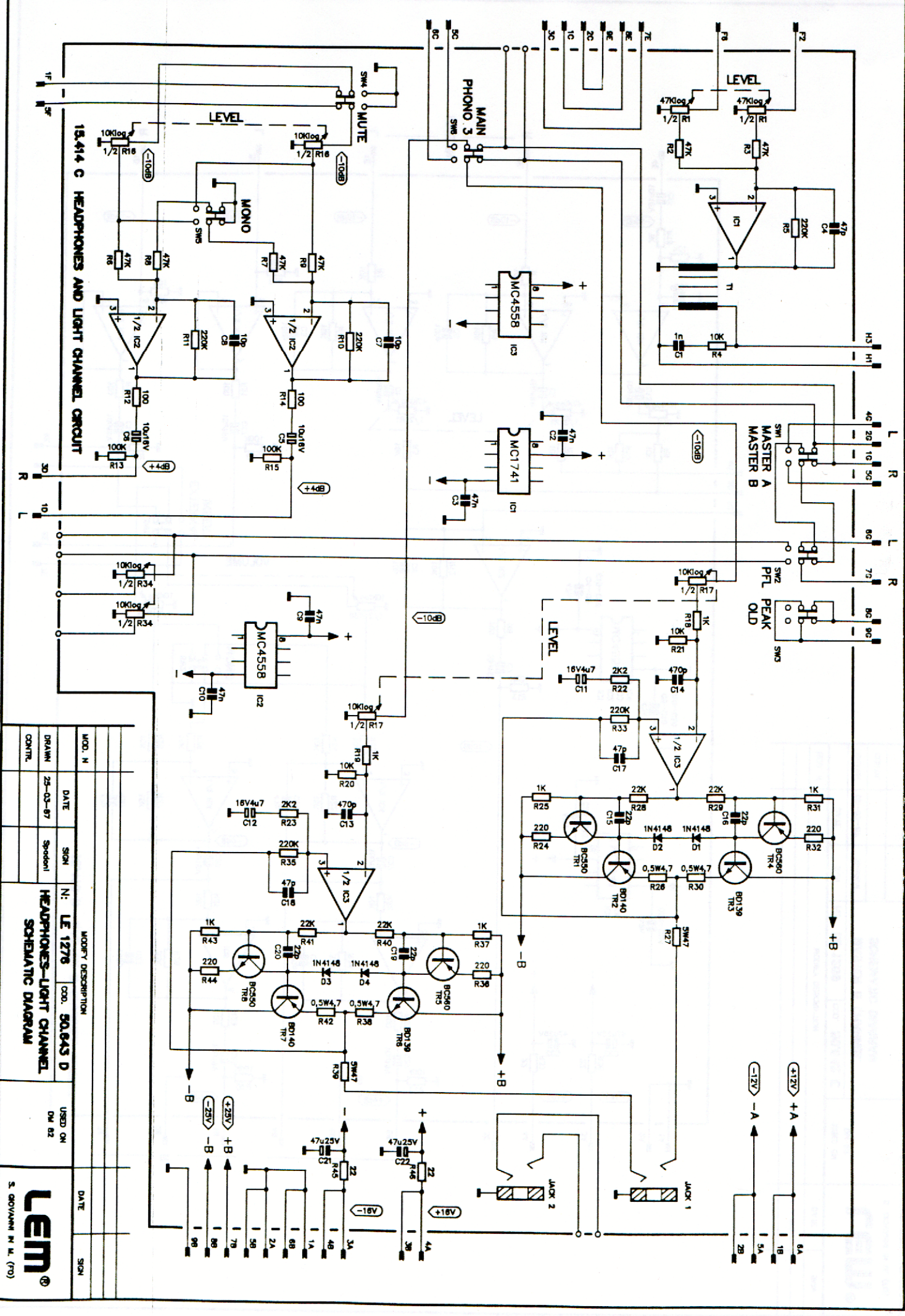


MOD. N		MODIFY DESCRIPTION		DATE	SIGN
DATE	SIGN	N: LE 1279	COD. 50.641 F	USED ON DM 82	 S. GIOVANNI IN M. (FO)
DRAWN 03-04-1987	Spadoni	BALANCED OUTPUT STAGE SCHEMATIC DIAGRAM			
CONTR.					

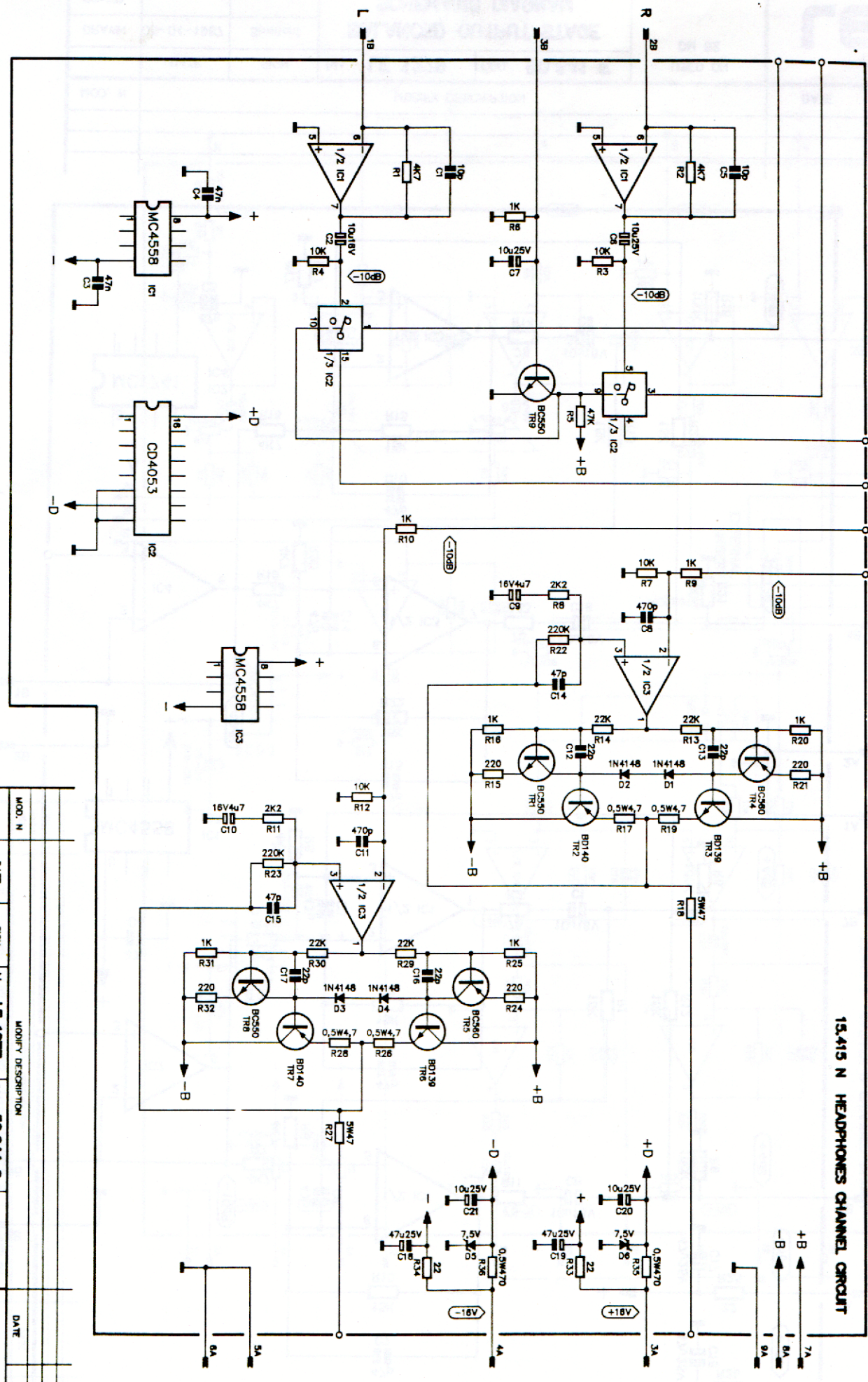
15.416 M LEVEL METER CIRCUIT



1				Modificati C1 e C5 da non polarizzati ad elettrolitici		15-09-87	Spodoni
MOD. N				MODIFY DESCRIPTION		DATE	SIGN
DATE	SIGN	N:	LE 1278	COD.	50.645 N	USED ON	DM 82
DRAWN	01-04-1987	Spodoni	LEVEL METER SCHEMATIC DIAGRAM		S. GIOVANNI IN M. (FO)		
CONTR.							



MOD. N.	DATE	SIGN.	N.:	MOD. DESCRIPTION	COO.	USED ON	DATE	SIGN.
	25-03-87	Spedoni	LE 1278	HEADPHONES-LIGHT CHANNEL	50.845 D	DM 82		
HEADPHONES-LIGHT CHANNEL SCHEMATIC DIAGRAM								
LEM S. GIOVANNI N. M. (70)								

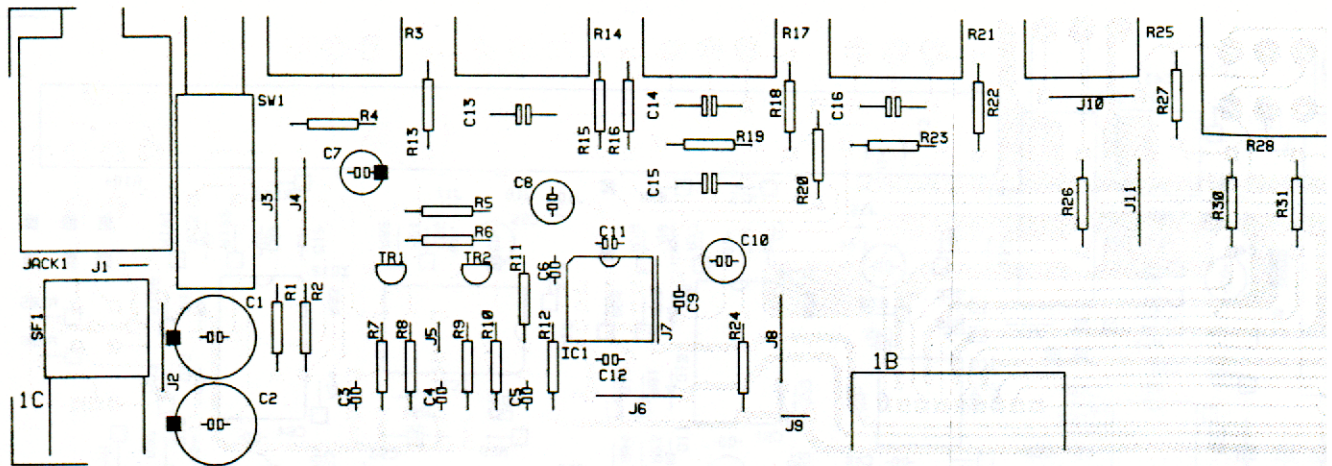


15.415 N HEADPHONES CHANNEL CIRCUIT

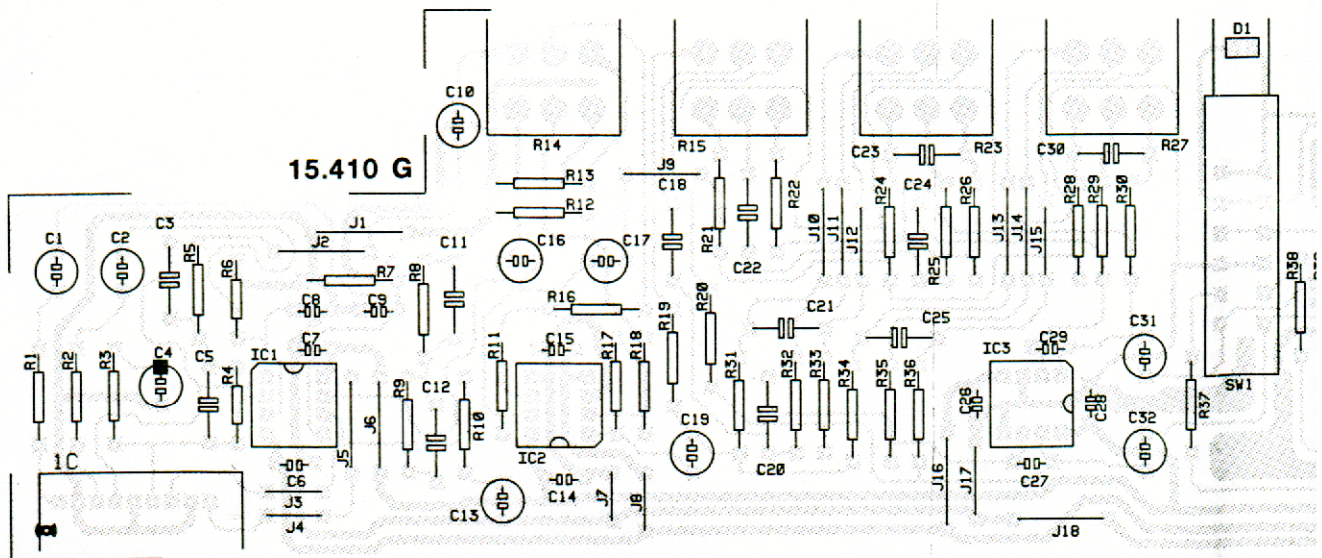
MOD. N		DATE		SIGN		N: LE 1277		COD. 90.644 0		USED ON		DATE		SIGN	
										DM 82					
DRAWN		Pg-03-1987		Spodini											
CONTR.															

MODIFY DESCRIPTION

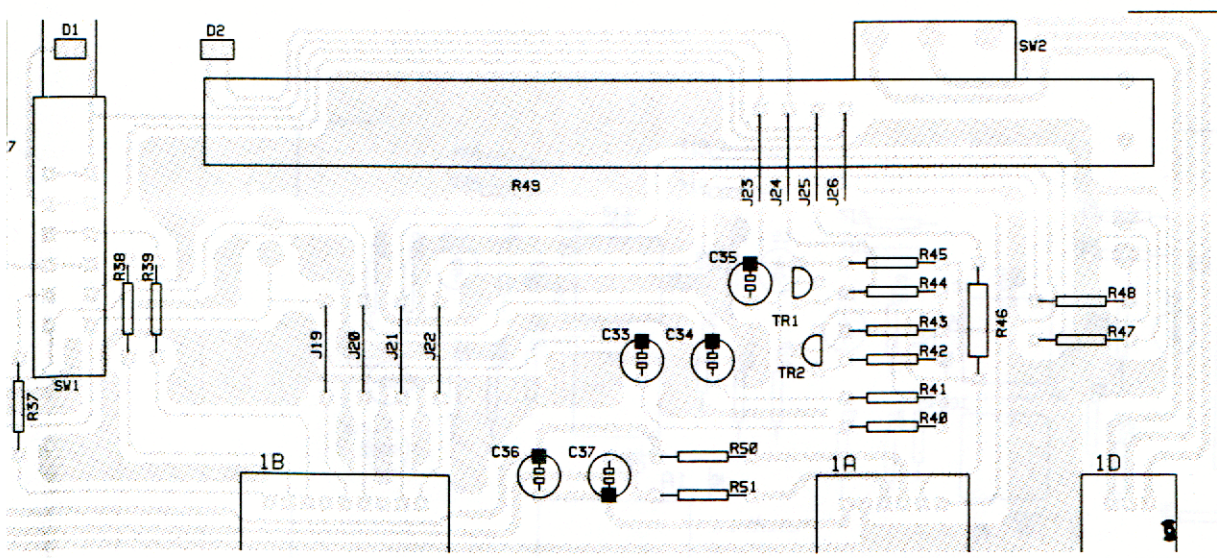
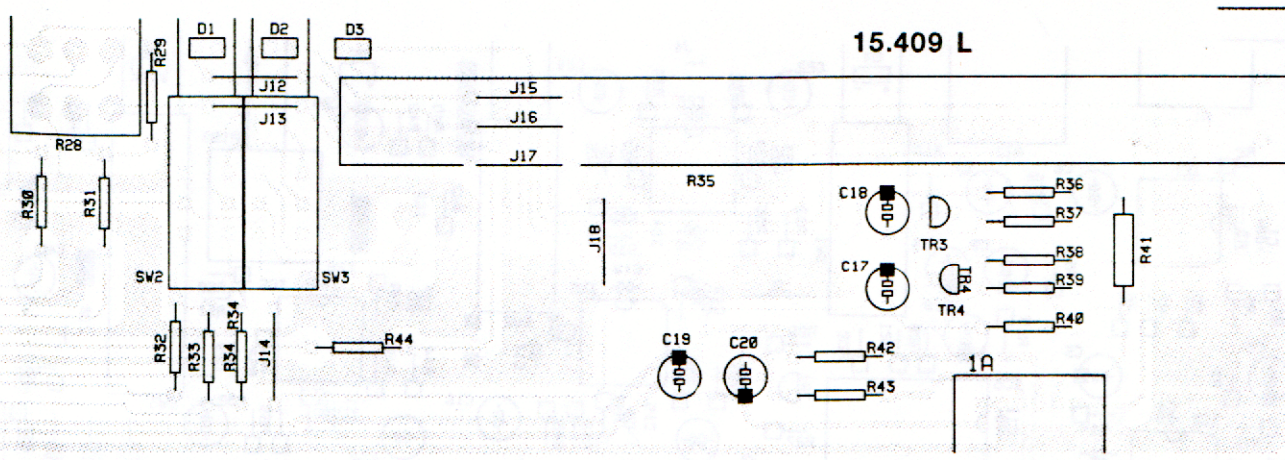
HEADPHONES CHANNEL
SCHEMATIC DIAGRAM

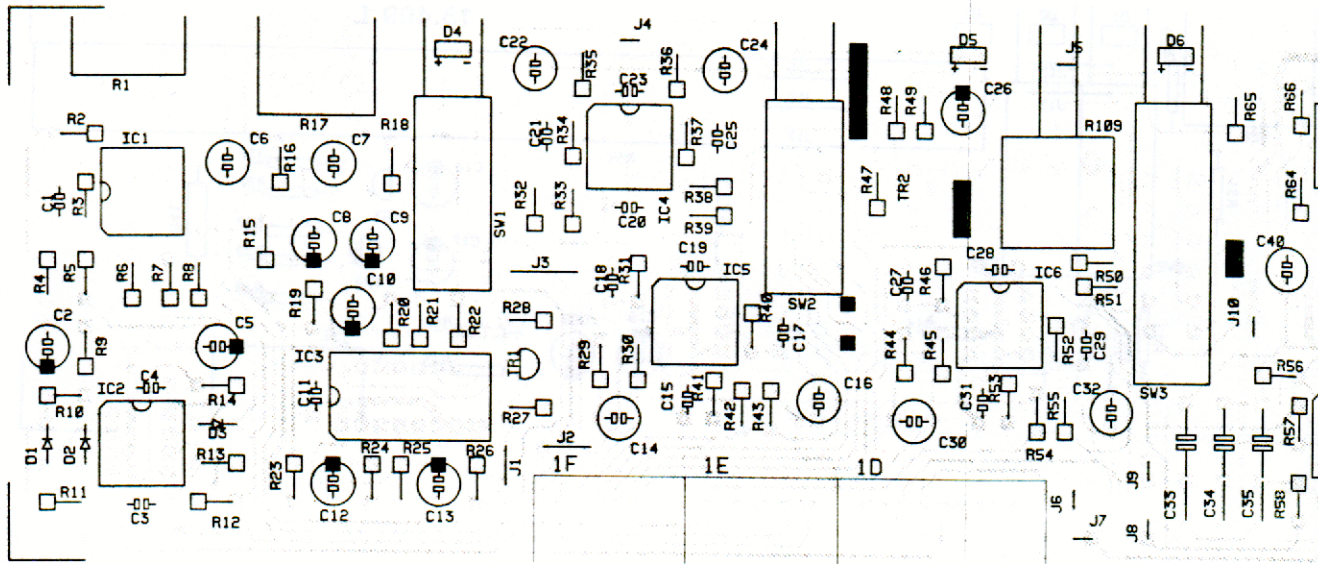


50.635 D MIC - LINE CHANNEL
 50.636 O D.J. CHANNEL

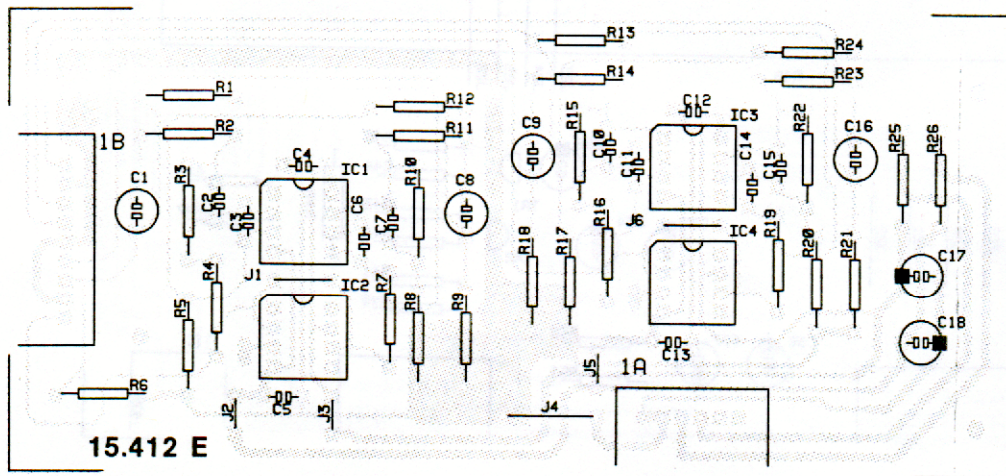


50.637 N TAPE - AUX CHANNEL
 50.638 M PHONO - 1 - 2 / CD - 1 - 2 CHANNEL
 50.639 L PHONO - 3 / CD - 3 CHANNEL

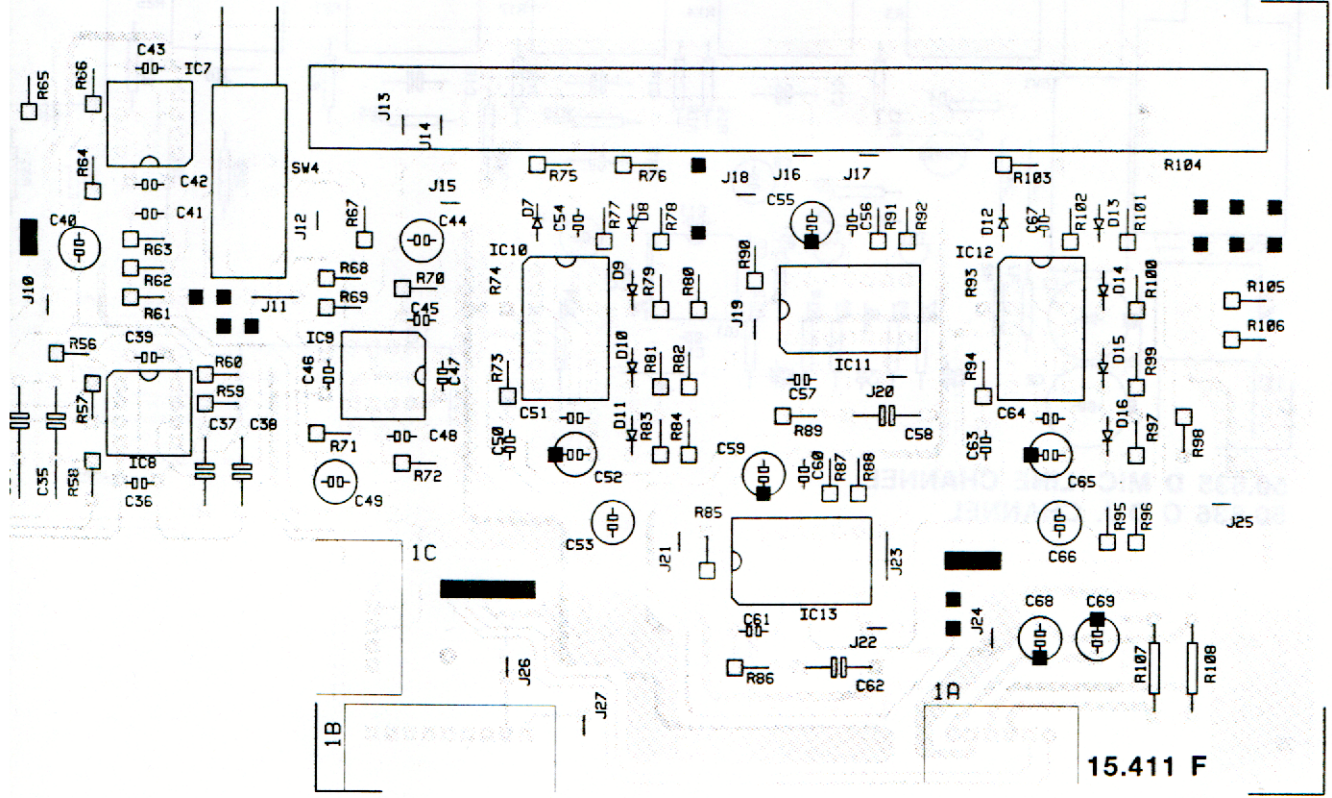




50.640 G MASTER A CHANNEL

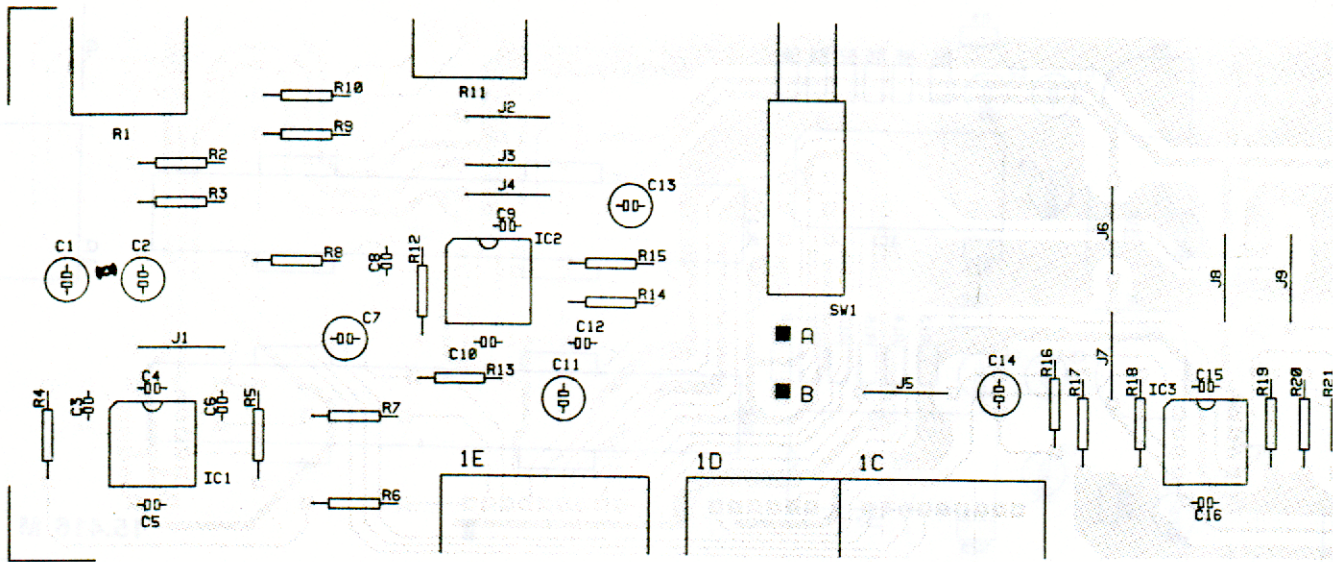


50.641 F BALANCED OUTPUT STAGE

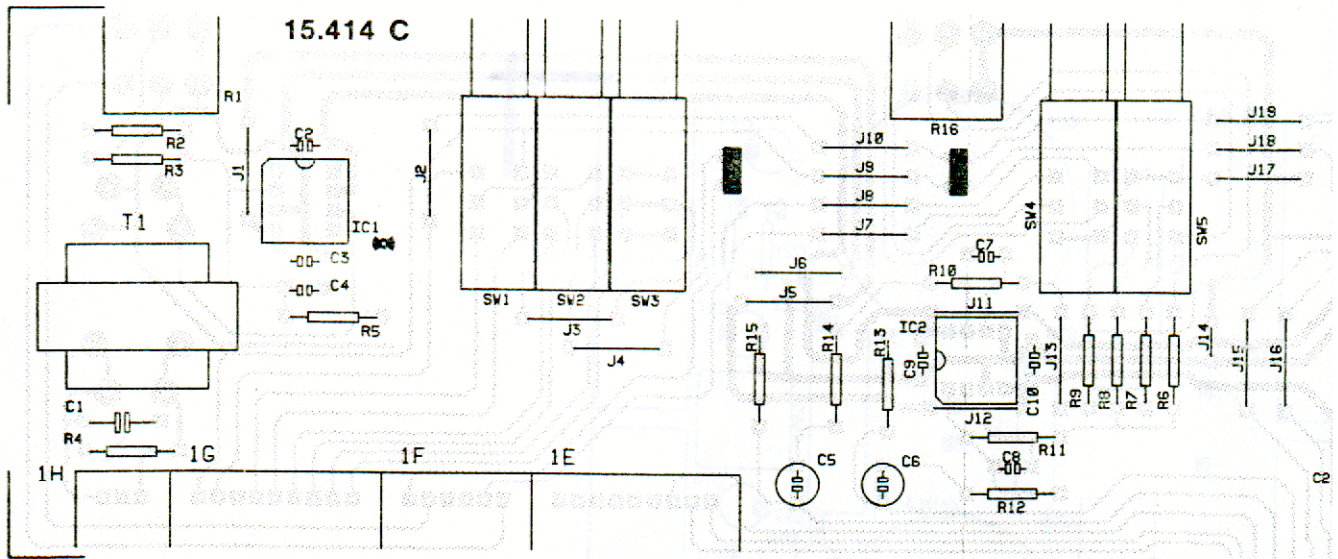


15.411 F

15.411 F
15.411 F
15.411 F

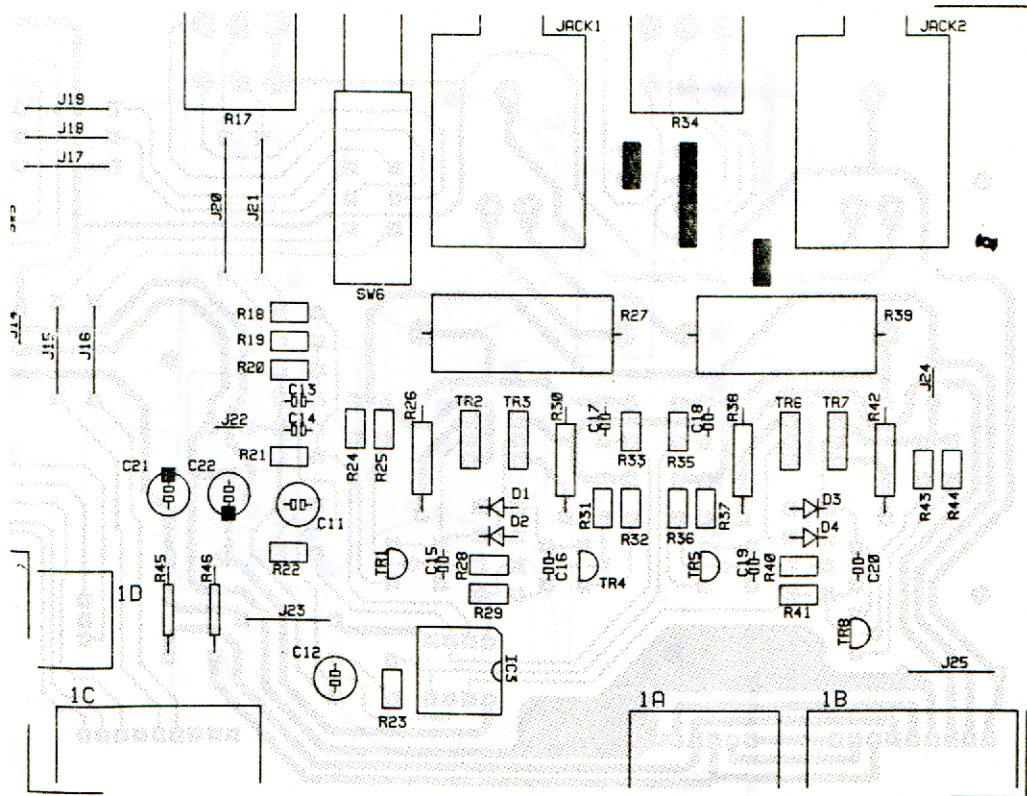
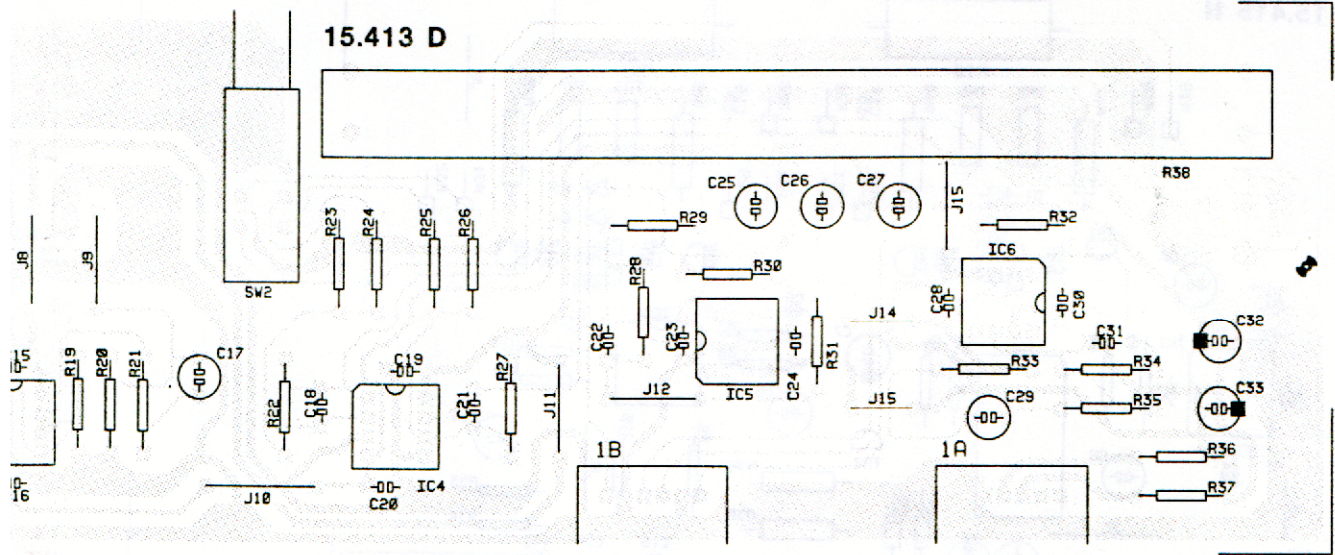


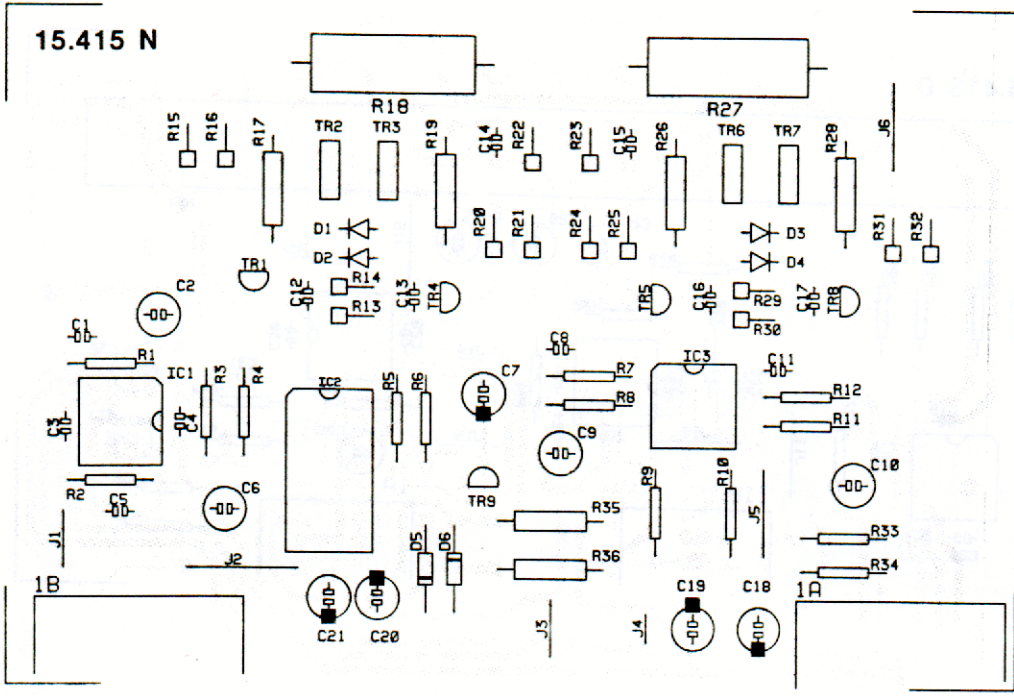
50.642 E MASTER B CHANNEL



50.643 D HEADPHONES AND LIGHT CHANNEL

15.413 D

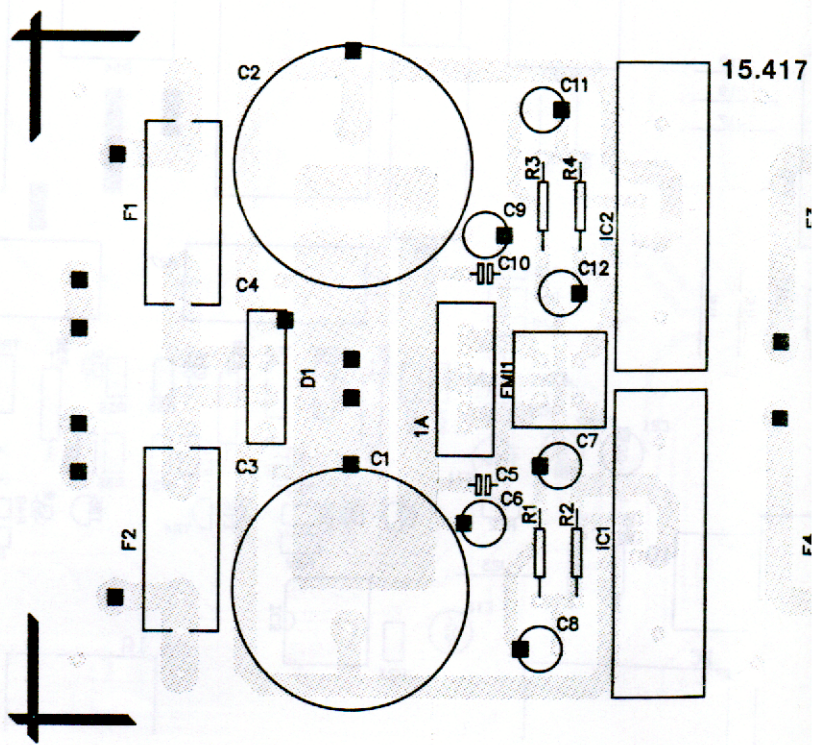




50.644 O HEADPHONES CHANNEL

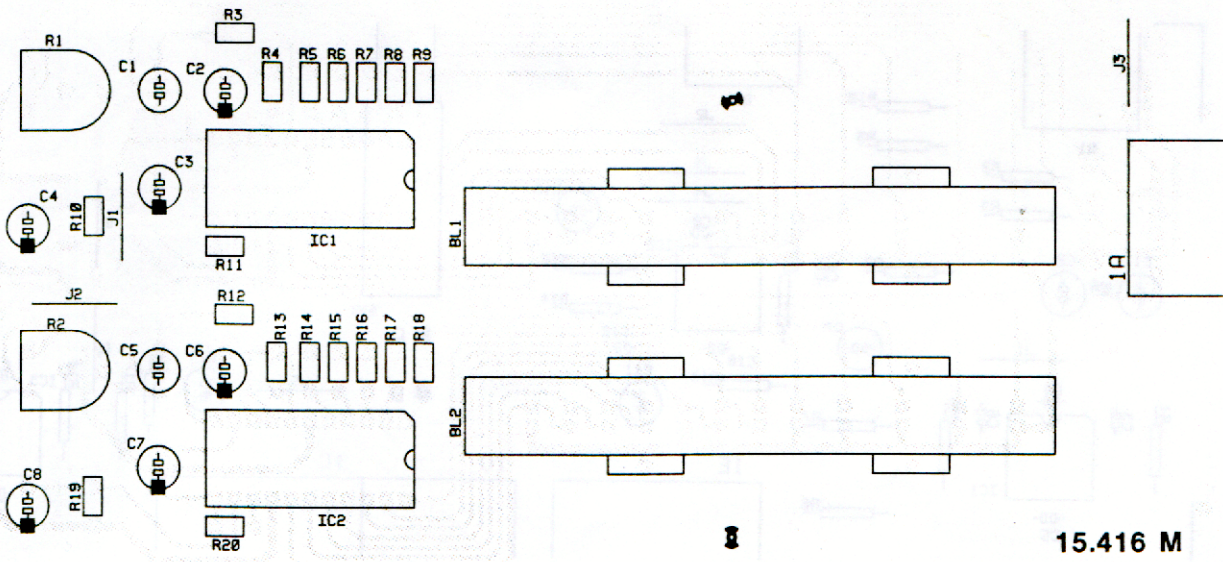
15.415 N

50.645 N



50.646 M POWER SUPPLY

15.417



50.645 N LEVEL METER

