

**ELKA**

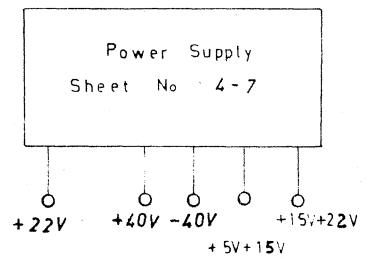
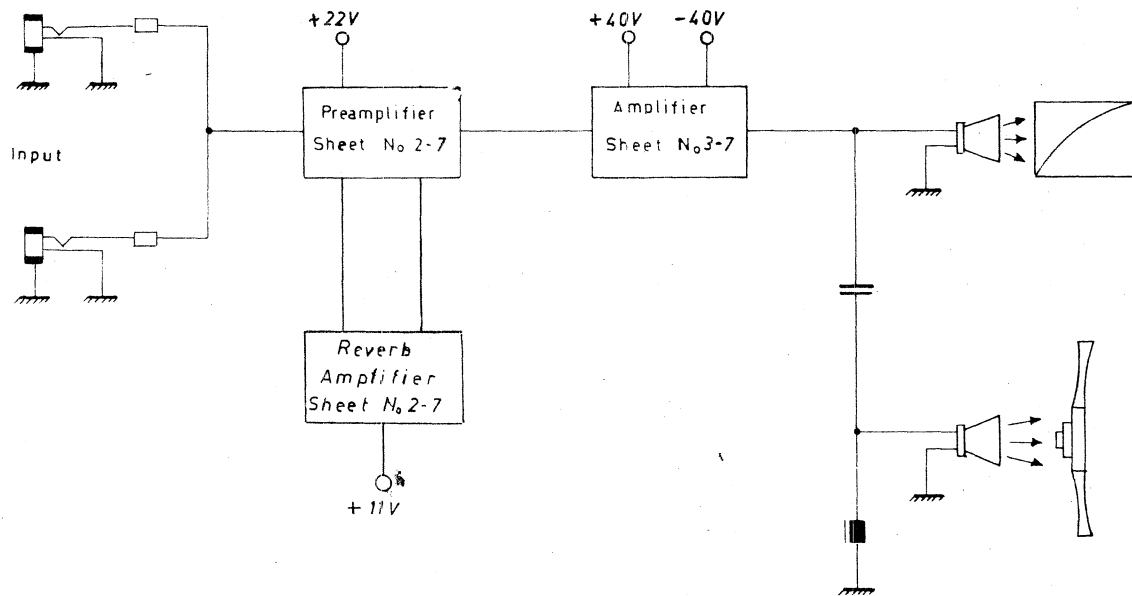
*ELKATONE*

*610*

---

schematic diagrams

---

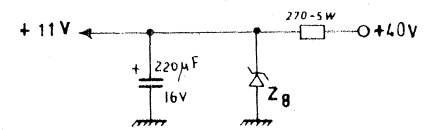
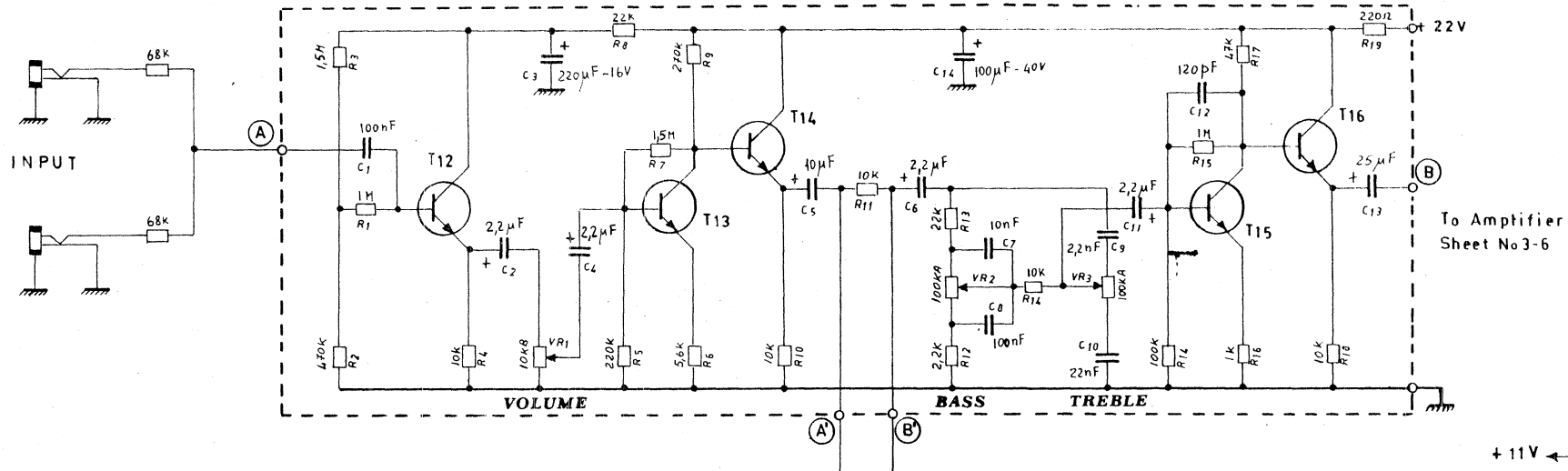


Designed by  
*[Signature]*

Drawn by  
*[Signature]*

Checked by  
*[Signature]*

	Model	Object:	Sheet No 1-7
	Elkatone 610	Block Diagram	Date 20-2-75

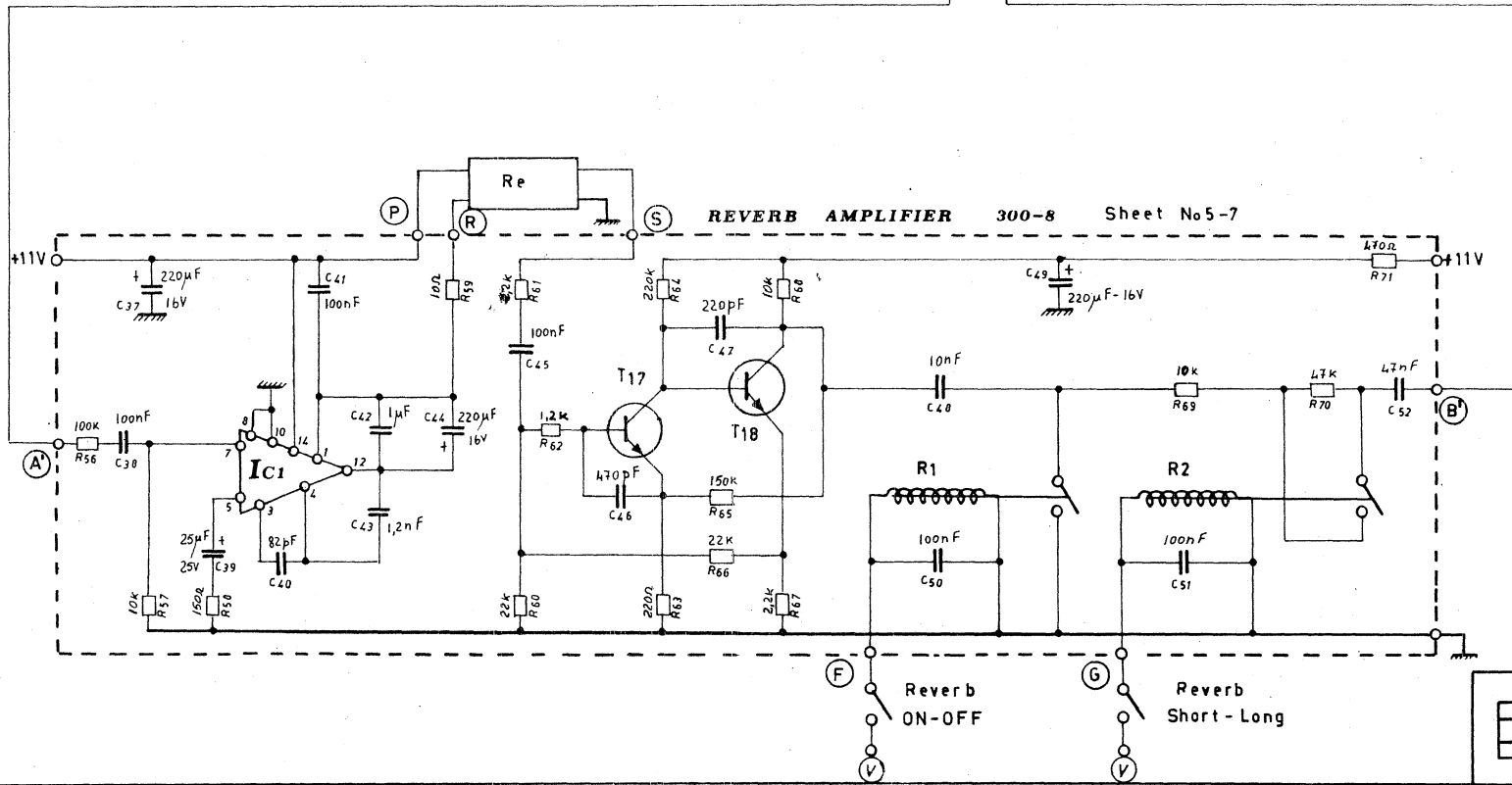


Z<sub>8</sub> = TZ 111

Code	Type	Transistors
T <sub>12</sub> ÷ T <sub>18</sub>	NPN	BC 209 Fairchild etc..... or MPS A09 Motorola

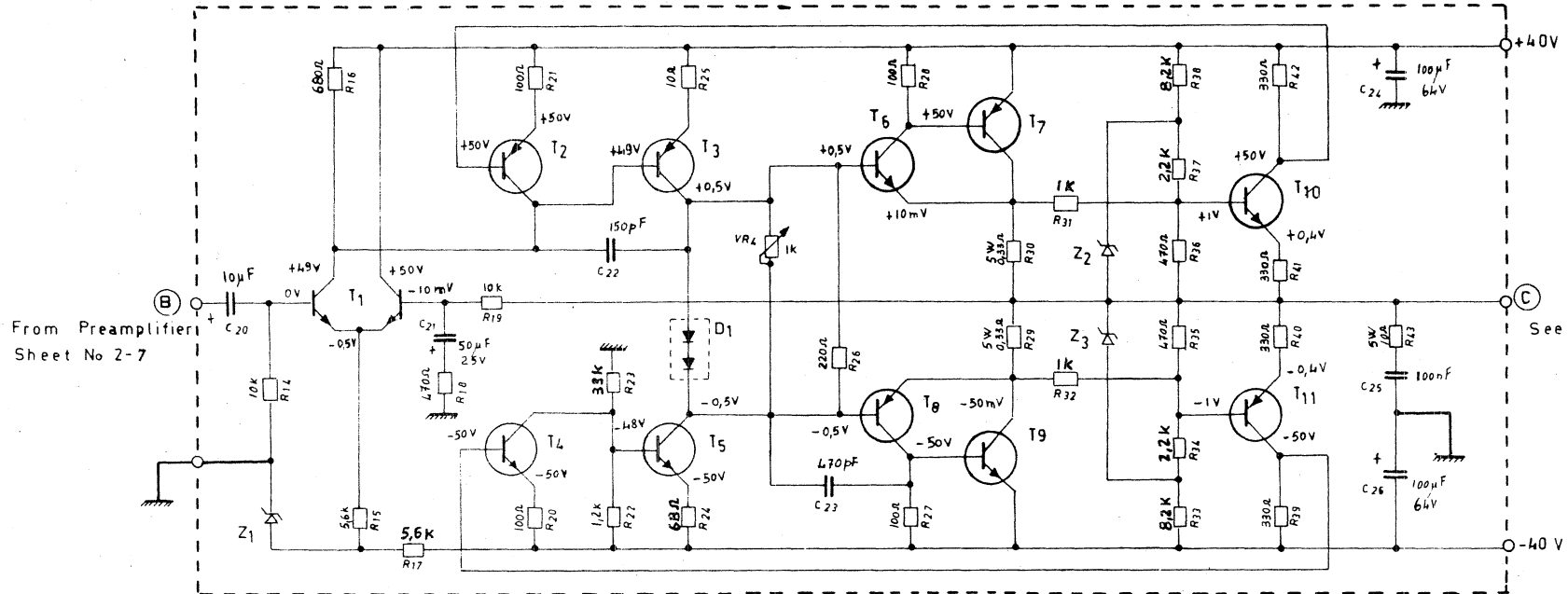
R<sub>1</sub> = R<sub>2</sub> = 1005 1125. 1012. ARCO 288Ω  
Re = Reverb Unit, Hammond type

I<sub>C1</sub> = TA 611 A 12 SGS.



	Model Elkatone 610	Object Preamplifier and Reverb Amplifier	Sheet No 2-7
			Date 24-11-75

AMPLIFIER 300-2 Sheet No 5-7



From Preamplifier  
Sheet No 2-7

See Sheet No 4-7

Code	Type	Transistors
T1	NPN	MD 8002
T2	PNP	MPSA 70 Motorola
T3 - T8	PNP	MPSU 56 or BD 520 Motorola
T4	NPN	MPSA 20 Motorola
T5 - T6	NPN	MPSU 06 or BD 519 Motorola
T7	PNP	MJ4502 Motorola
T9	NPN	MJ802 Motorola
T10	NPN	MPSL01 Motorola
T11	PNP	MPSL51 Motorola

D1 = MZ 2361

Z1 = 1N5240

Z2 = 1N5236

Z3 = 1N5236

Note:

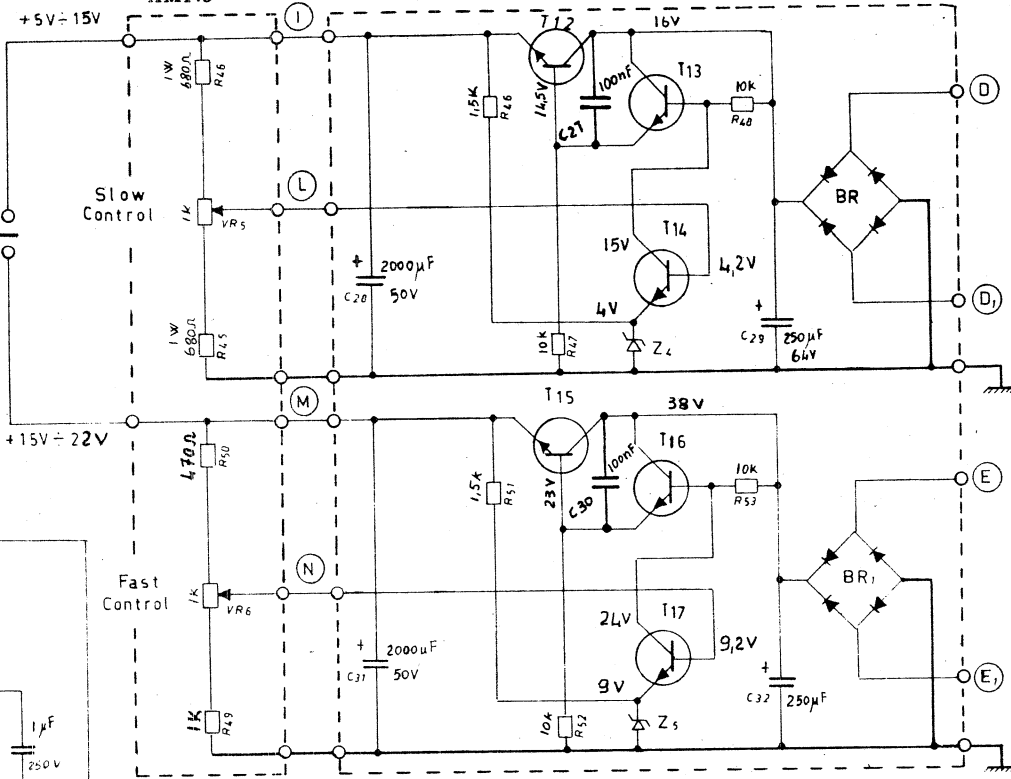
All resistors are  $\frac{1}{2}$  W unless otherwise indicated

	Model	Object:	Sheet No 3-7
	Elkatone 610	Amplifier	Date 6-5-75

**N.B.** The tension indicated in the power supply of the two velocities of the motor have been registered with the slow and fast potentiometers at maximum

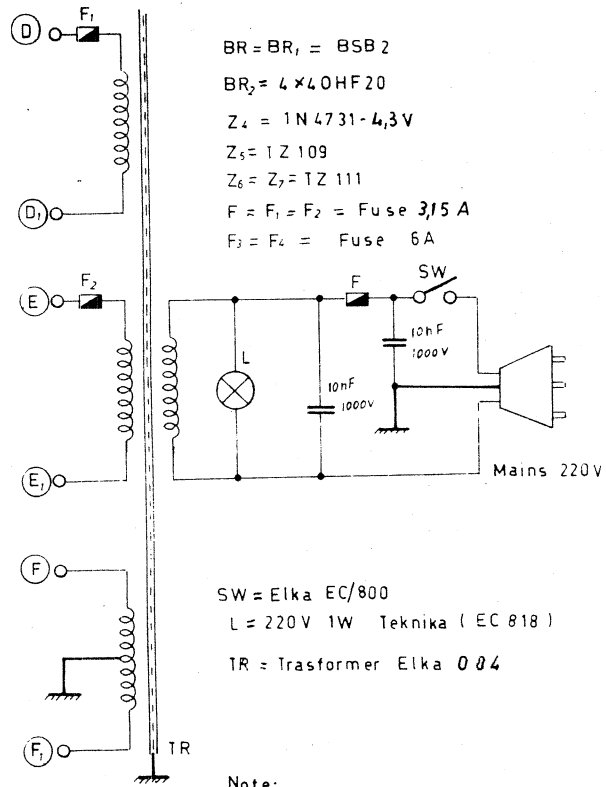
**AMP 5**

**POWER SUPPLY AMP 4**



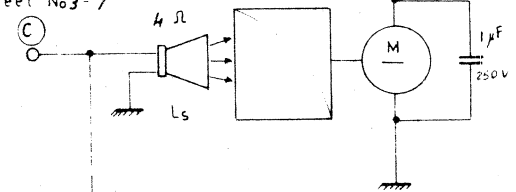
Code	Type	Transistors
T12-T15	NPN	2N3055 Fairchild Mistral
T13-T14	NPN	2N5856 Fairchild or BC 286 SGS
T16-T17	NPN	2N5856 Fairchild or BC 5856 SGS

- BR = BR<sub>1</sub> = BSB 2
- BR<sub>2</sub> = 4 × 40HF 20
- Z<sub>4</sub> = 1N4731-4,3V
- Z<sub>5</sub> = 1Z 109
- Z<sub>6</sub> = Z<sub>7</sub> = TZ 111
- F = F<sub>1</sub> = F<sub>2</sub> = Fuse 3,15 A
- F<sub>3</sub> = F<sub>4</sub> = Fuse 6 A



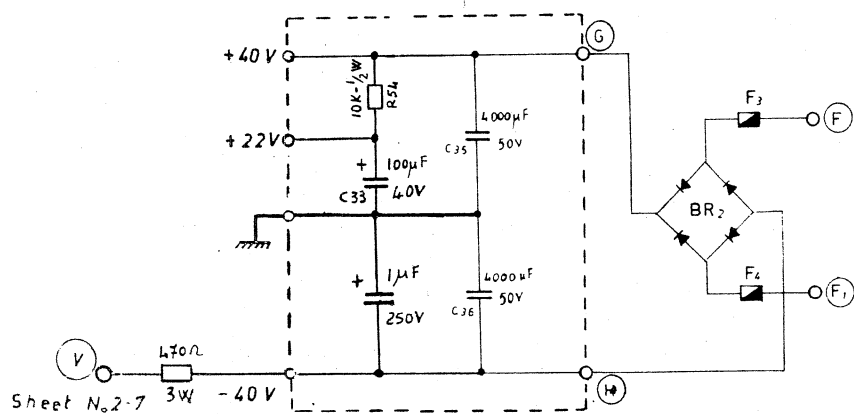
Note:  
All resistors are 1/2 W unless otherwise indicated

From Amplifier Sheet No3-7



M = Elka EM 315  
L<sub>s</sub> = 3353/4

**POWER SUPPLY M000566**



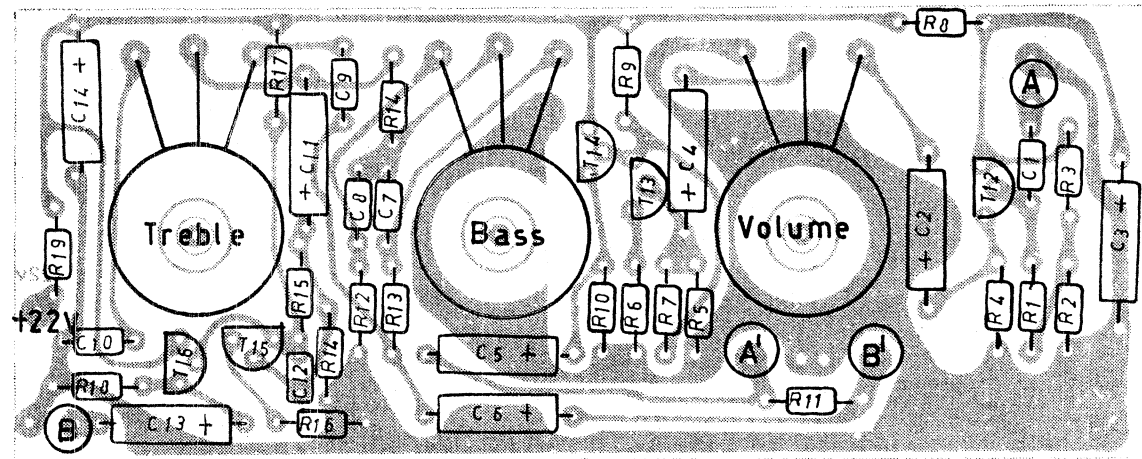
Sheet No.2-7

L = 4,7 mH

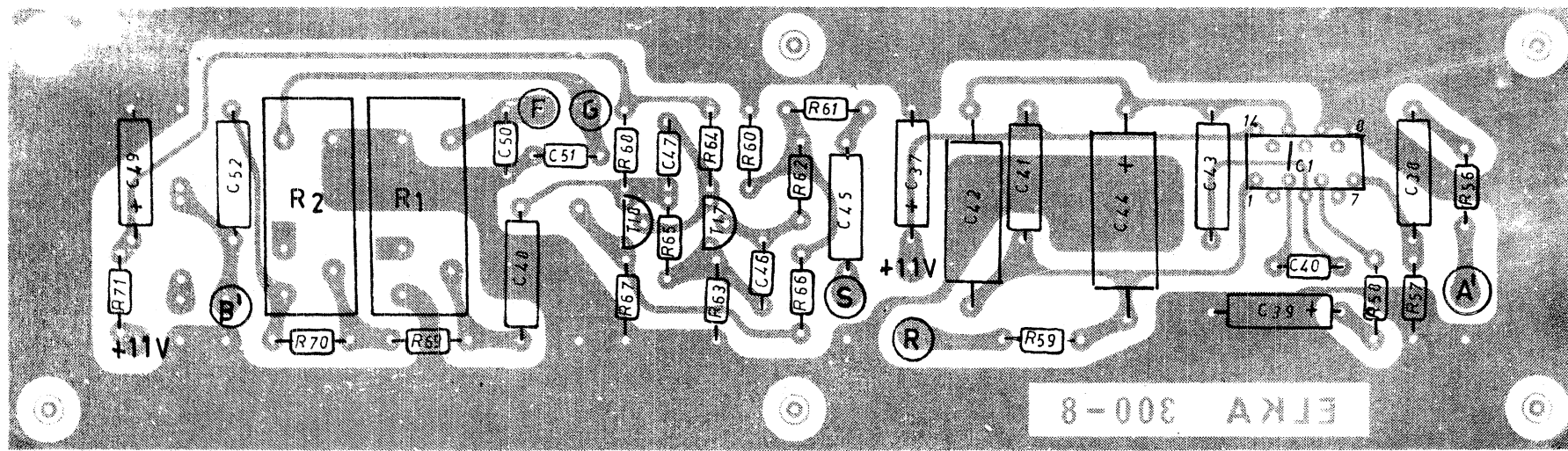
M<sub>1</sub> = Elka EM315  
L<sub>s1</sub> = 1W 4060

	Model	Object:	Sheet No 4-7
	Elkatone 610	Power Supply	Date 19-2-75

C000605

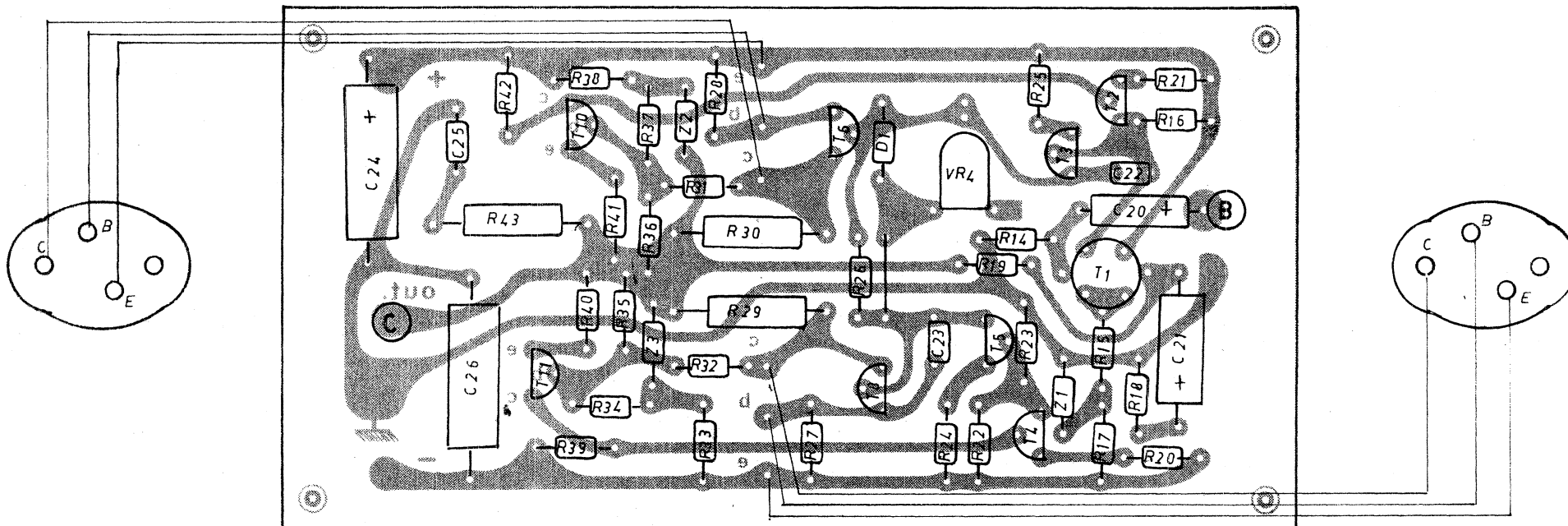


300-8



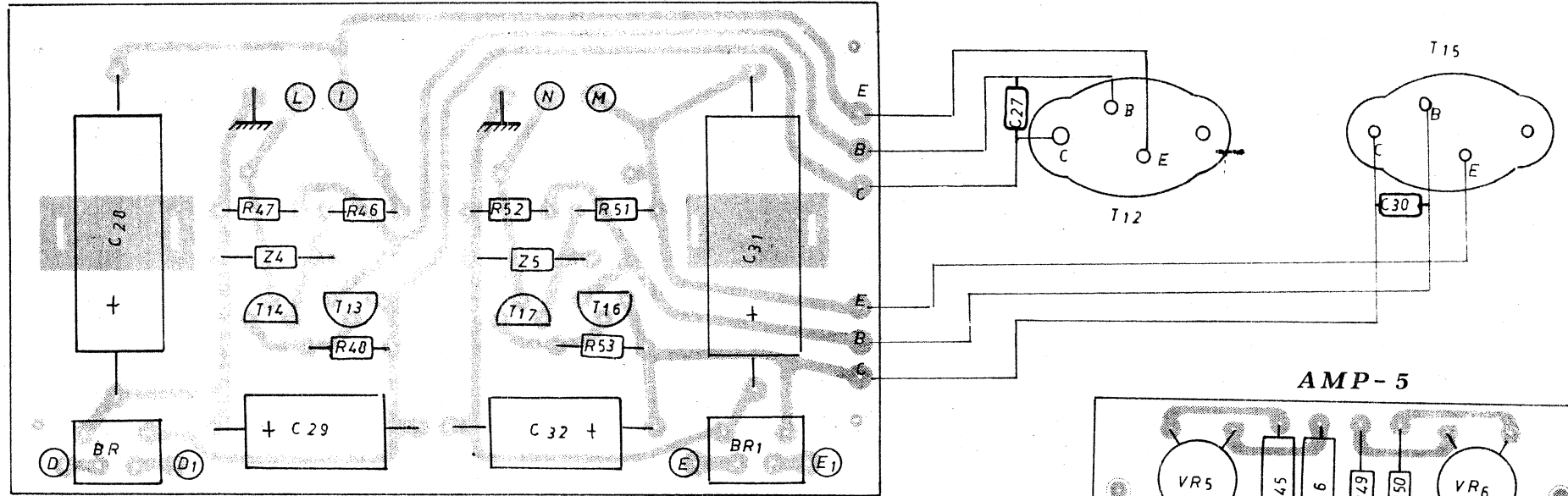
	Model	Object	Sheet No 5-7
	ELKATONE 610	Assembly of Printed Circuit	Date 27-11-7

300 - 2

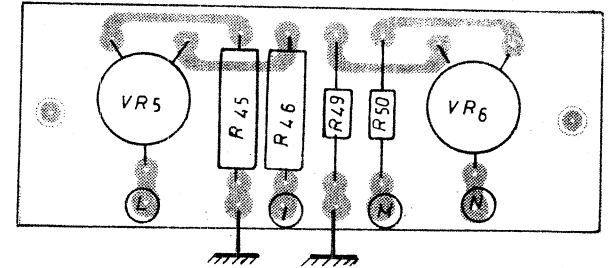


	Model	Object:	Sheet No 6-7
	ELKATONE 610	Assembly of Printed Circuit	Date 27-11-7

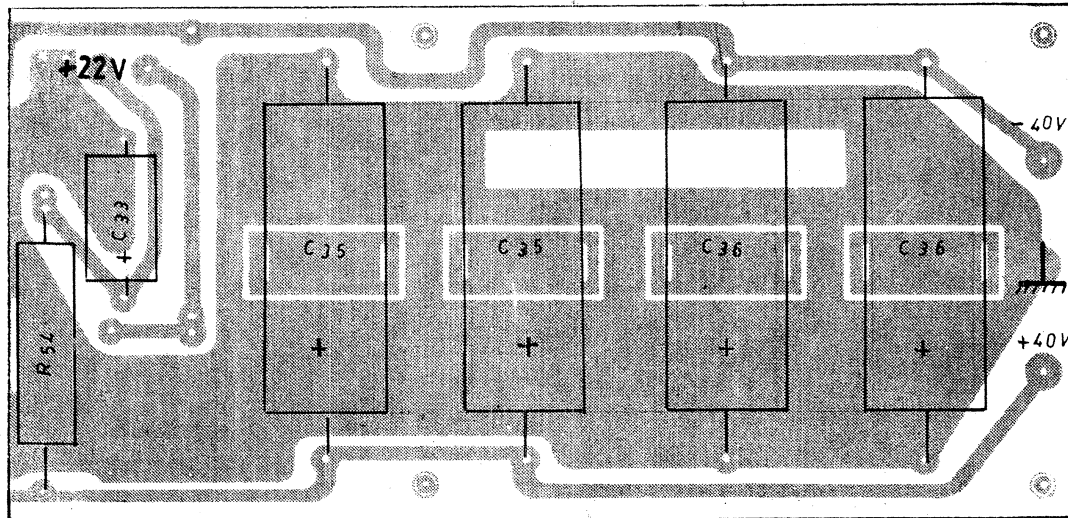
AMP-4




AMP-5



F000566



	Model	Object:	Sheet No 7-7
	Elkatone 610	Assembly of Printed Circuit	Date 27-2-75