

A

B

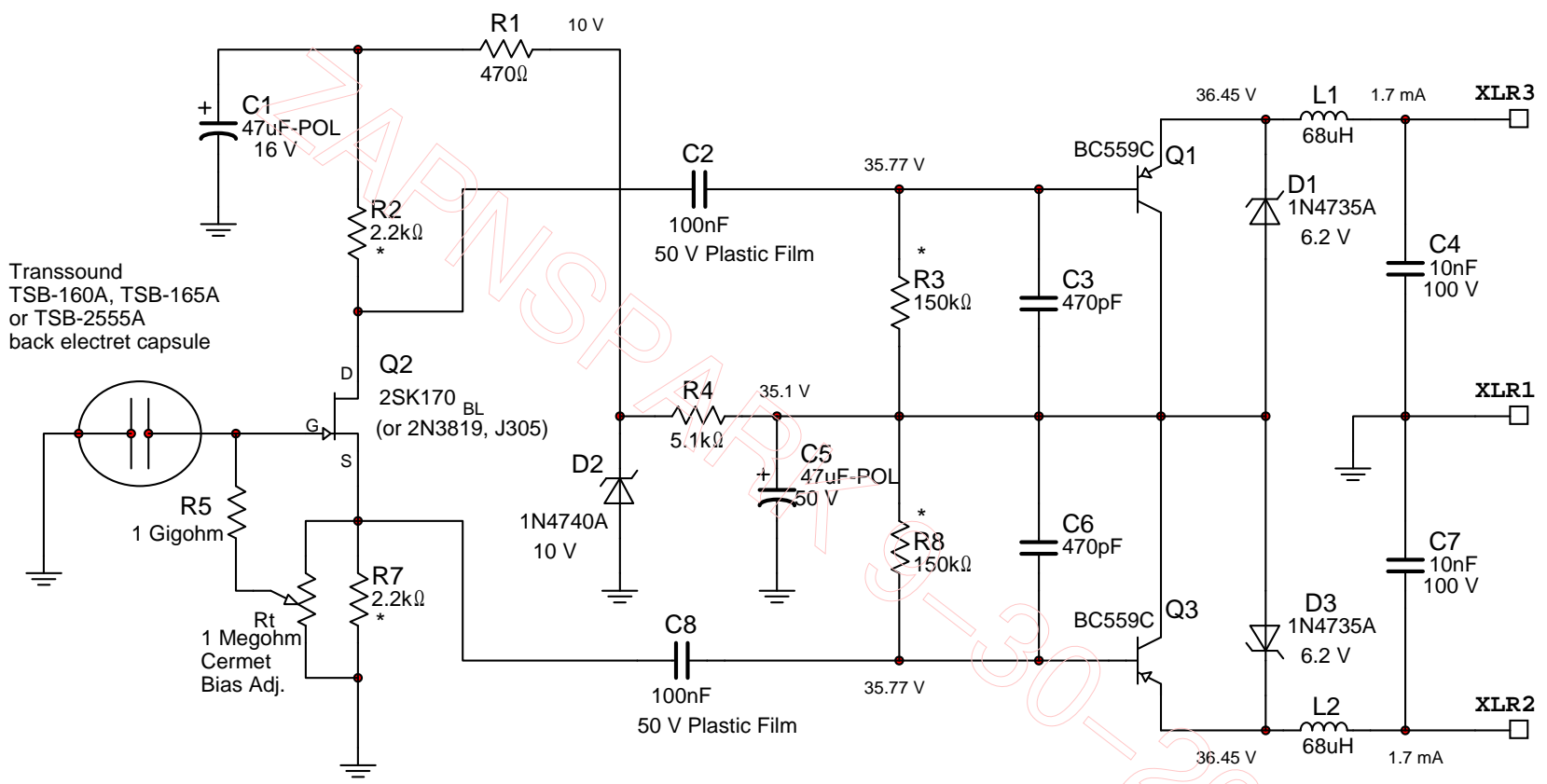
C

D

E

F

G



Transsound
TSB-160A, TSB-165A
or TSB-2555A
back electret capsule

* Resistor pairs matched to 1% or better.

NOTES: Q1 and Q3 may be 2N5087, 2N5401, BC559C or BC560C pairs. Q1 and Q3 should be hfe matched.
All resistors are metal film.
Voltages and currents shown are typical
C4,C7,L1,L2,C3,C6 are optional RFI protection parts..

Title: Generic Back Electret Condenser Microphone		
ZAPNSPARK		
Designed by:	Document N: 0001	Revision: 10
Checked by: J.G. 08:14:28	Date: 2008-09-30	Size: A
Approved by: J.G. 08:14:28	Sheet 1 of 1	