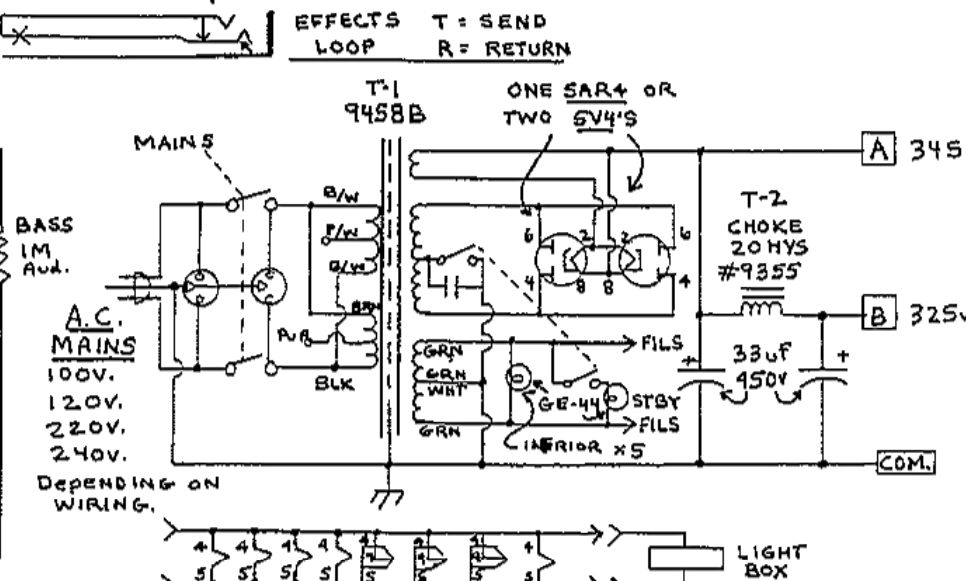
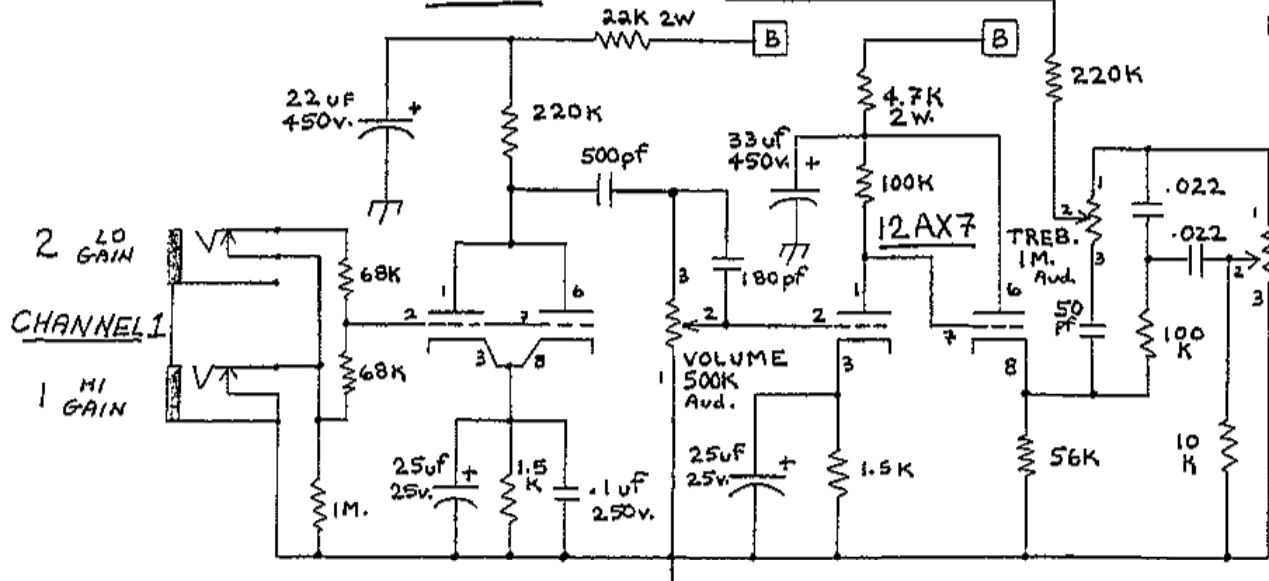
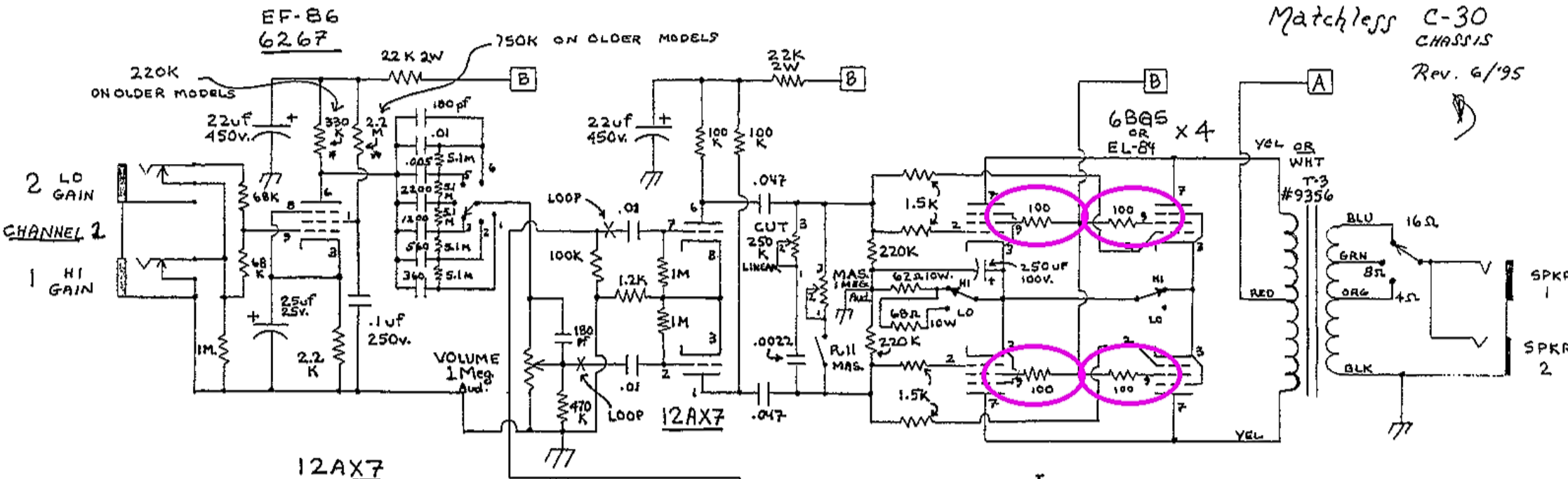


Matchless C-30  
CHASSIS  
Rev. 6/95



- ALL RESISTORS 1W, 5% UNLESS NOTED OTHERWISE
- ALL CAPACITORS IN UF UNLESS NOTED OTHERWISE
- ALL ARE CARBON COMP!!
- 62 AND 68 Ohm Resistors ARE 1% WIREWOUND

6BQ5 OR EL-84      12AX7      6267 OR EF-86